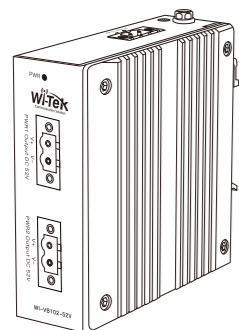


Quick Installation Guide

Industrial Voltage Booster



WI-VB102-52V

1. Packing Content



1 x Voltage Booster

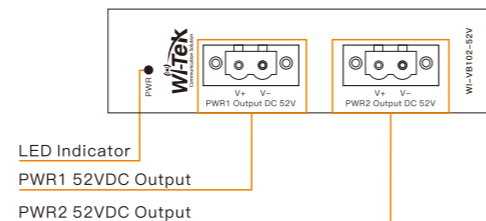


1 x Quick Installation Guide

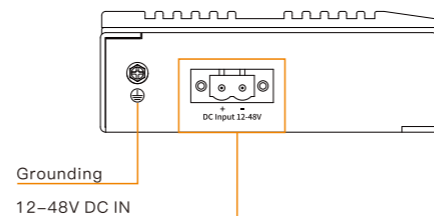
2. Appearance Overview

WI-VB102-52V

• Front Panel



• Back Panel



• LED Indicator

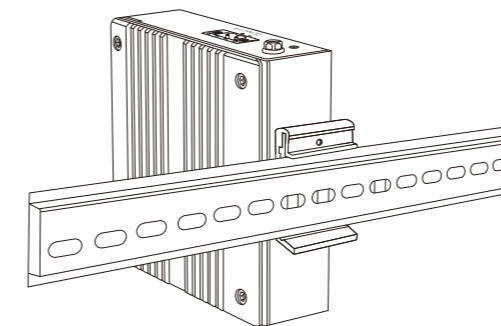
LED	Color	Description
PWR	Green	On: the device power on is normal Off: the device is power off or failed

• Power Parameter

Input Voltage	Input Current	Output Power	Output Voltage	Output Current
DC 12V	5.7A max	60W max	DC 52V±10%	1.15A max
DC 24V	5.4A max	120W max	DC 52V±10%	2.3A max
DC 48V	2.7A max	120W max	DC 52V±10%	2.3A max

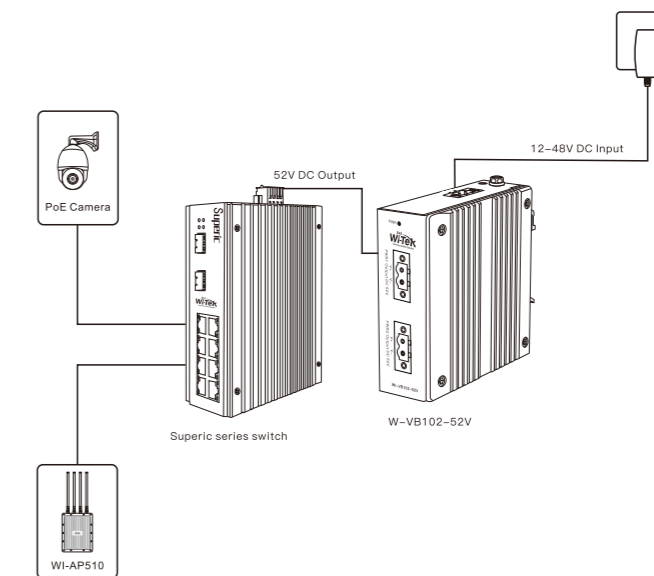
3. DIN-rail Installation

- Please follow the steps below.
Step 1: Install the Device to the DIN rail.



4. Connection Diagram

- WI-VB102-52V Connect Diagram



Warranty Card

Username	
Address	
Telephone No.	
Purchase Shop	
Purchase Address	
Product Model No.	
Purchase Time	
Serial No.	
Dealer Signature	

- If the product defects within three months after purchase, we will provide you with a new product of the same model.
- If the product defects within the three-year warranty period, we will provide professional maintenance service.
- Proof of purchase and a complete product serial number are required to receive any services guaranteed as part of the limited warranty.
- Any other defects that are not caused by workmanship or product quality, such as natural disasters, water damage, extreme thermal or environmental conditions, sticker damaged, warranty card loss will disqualify the product from limited warranty.



Technical Support



Company Website



Cloud Management

Wireless-Tek Technology Limited
Address: Building 3, Units 1801-1807, 1812,
Huaqiang Era Plaza, Tangwei Community,
Fuhai Street, Bao'an District, Shenzhen City,
Guangdong Province, China.

Website: www.wireless-tek.com

Tel: 86-0755-32811290

Email: sales@wireless-tek.com

Technical Support: tech@wireless-tek.com

