

Gigabit Ethernet Switch



WI-SG105 | WI-SG108

Hardware Version: V3

Overview

Wi-Tek Gigabit Ethernet Switches provide 5/8 full Gigabit Ethernet RJ45 ports, which enhance your communication quality and supply high-performance, cost-effective, stable operating conditions for your network.

With all ports support Auto-MDI/MDIX, there's no need to worry about the type of cable to use. Featuring full duplex mode can send and receive data at a rate up to 1000 Mbps, making it an ideal choice for expanding your high performance network.

Features

Full gigabit access, full-line speed forwarding

All ports support high-speed forwarding, user-flexibly flexible networking, to meet the needs of various scenarios networking, such as hotel, campus, factory dormitory and small and medium-sized enterprises.

Plug and play, no configuration required

A plug-and-play design lets administrators quickly connect the switch to devices with no hassles, no technician needed. Autonegotiation on each port senses and adjusts the link speed of a network intelligently to ensure an overall boost in performance and reliability.

Long service life with sturdy and durable metal shell

Wi-Tek Gigabit Ethernet Switches are protected by high-quality metal shell to ensure the long service life. They have passed a series of strict tests and provided you with reliable performance.

Specifications

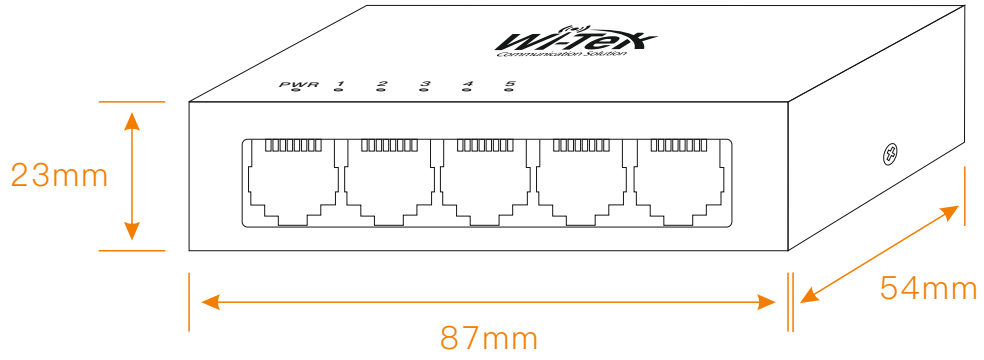


Model	WI-SG105	WI-SG108
Hardware Specifications		
Hardware Version	V3	V3
Interfaces		
Interfaces	5*10/100/1000Mbps RJ45 Ports	8*10/100/1000Mbps RJ45 Ports
Switch Property		
Standards and Protocols	IEEE802.3 (Ethernet) IEEE802.3u (Fast Ethernet) IEEE802.3x (Flow Control) IEEE802.3ab (Gigabit Ethernet) IEEE802.3az(Energy Efficient Ethernet)	
Forwarding Mode	Store and Forward	
Switching Capacity	10 Gbps	16 Gbps
Packet Forwarding Rate	7.44Mpps	11.9Mpps
MAC Address Table	2k	8k
Packet Buffer Memory	3Mbit	4Mbit
Jumbo Frame	15KB	
Input Power	DC 5V/1A IN	
Physical Characteristics		
LED Indicators	<p>PWR</p> <p>On: The device power on is normal Off: The device is power off or failed</p> <p>Link Indicator</p> <p>On: Port connected Off: Port disconnected Blinking: Data transmission</p>	

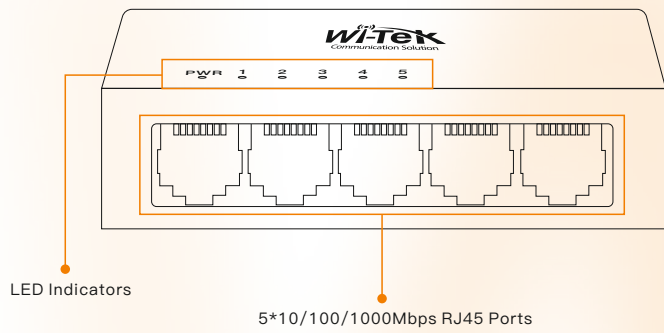
Model		WI-SG105	WI-SG108
Fan Quantity		Fanless	
Product Dimension		87*54*23mm	138*78*25mm
Package Dimension		90*88*58mm	175*120*63mm
Weight		Net Weight: 0.13 kg	Net Weight: 0.25 kg
		Package Weight: 0.23 kg	Package Weight: 0.42 kg
Installation		Desktop, Wall-mount	
Environmental			
Reliability	Surge Immunity	IEC 61000-4-5 Common mode 2kV Differential mode 1kV	
	ESD Protection	IEC 61000-4-2 Contact discharge 3kV Air discharge 4kV	
Operating Temperature		-10°C to 50°C(14°F to 122°F)	
Operating Humidity		10%~90% RH no condensation	
Storage Temperature		-40°C to 70°C(-40°F to 158°F)	
Storage Humidity		5%~95% RH no condensation	
Others			
Certification		CE, FCC, RoHS, UKCA, RCM	

WI-SG105

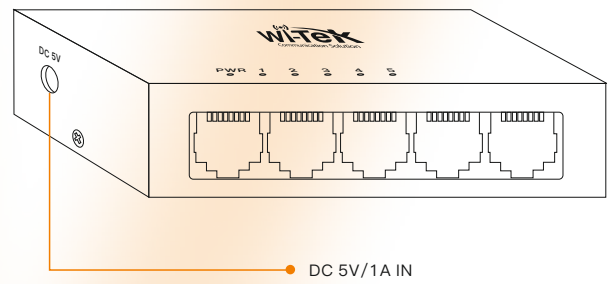
Dimensions (mm)



Front Panel

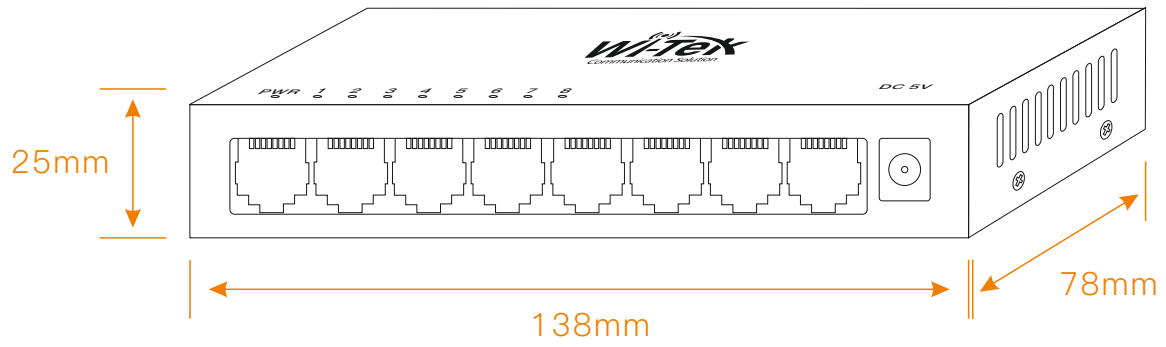


Side Panel

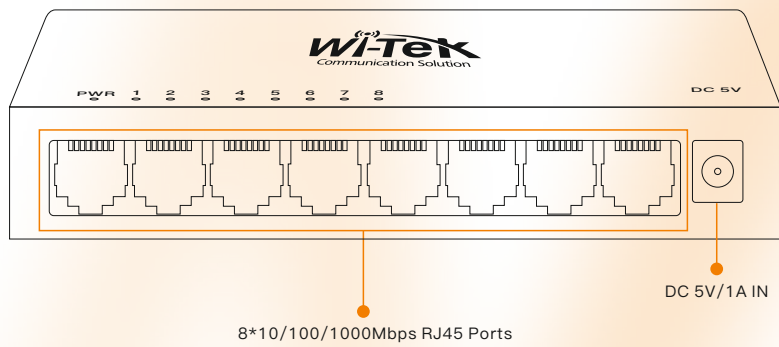


WI-SG108

Dimensions (mm)



Front Panel



Package Contents

Welcome to order our products. After purchasing, you will receive:

Items	Quantity
Switch	1 pcs
Power Adapter	1 pcs
Quick Installation Guide	1 pcs



Wireless-Tek Technology Limited

Address: Building 3, Units 1801-1807, 1812, Huaqiang Era Plaza, Tangwei Community, Fuhai Street, Bao'an District, Shenzhen City, Guangdong Province, China.

Website: www.wireless-tek.com

Tel: 86-0755-32811290

Email: sales@wireless-tek.com

Technical Support: tech@wireless-tek.com



Technical Support



Cloud Management



Company Website