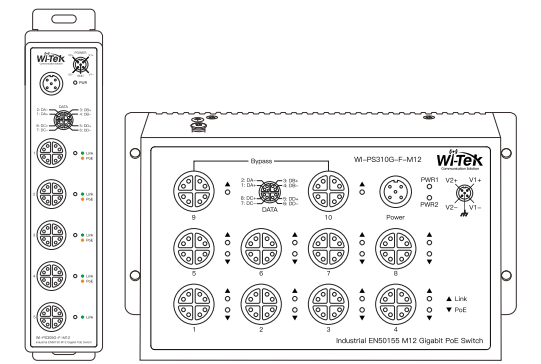


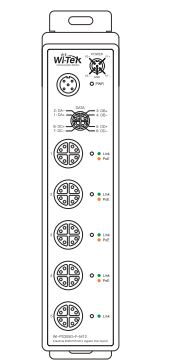
# Quick Installation Guide

Industrial EN50155 M12 Gigabit PoE Switch

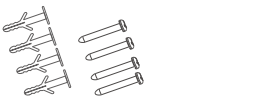


WI-PS305G-F-M12 | WI-PS310G-F-M12

## 1. Package Contents



Switch x 1



Wall Mount Kit set x 1  
(Only for WI-PS305G-F-M12)



DIN Rail Bracket x 1  
(Only for WI-PS305G-F-M12)



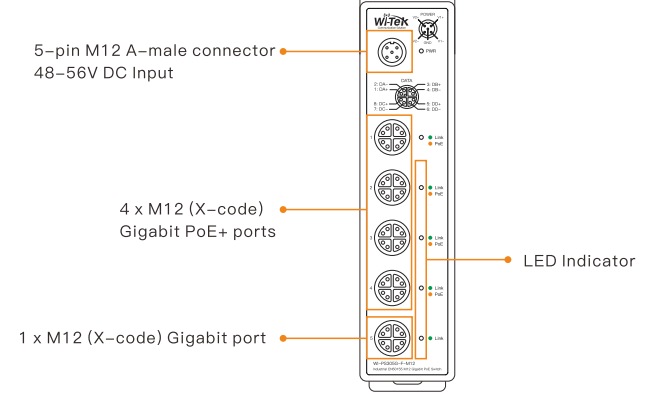
Philips Head Screw x 3  
(Only for WI-PS305G-F-M12)



Quick Installation Guide x 1

## 2. Appearance Overview

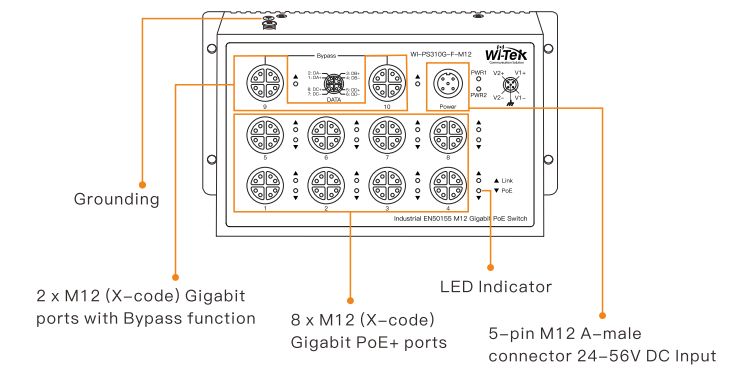
For WI-PS305G-F-M12



• LED Indicator

LED Indicators	Description
PWR	On: The device power on is normal Off: The device is power off or failed
Link/PoE	Green on: Port connected Orange on: PoE enabled Blinking: Data transmission Off: Port disconnected

For WI-PS310G-F-M12

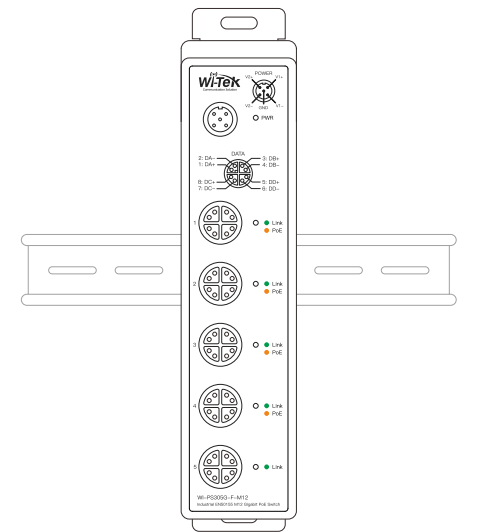


• LED Indicator

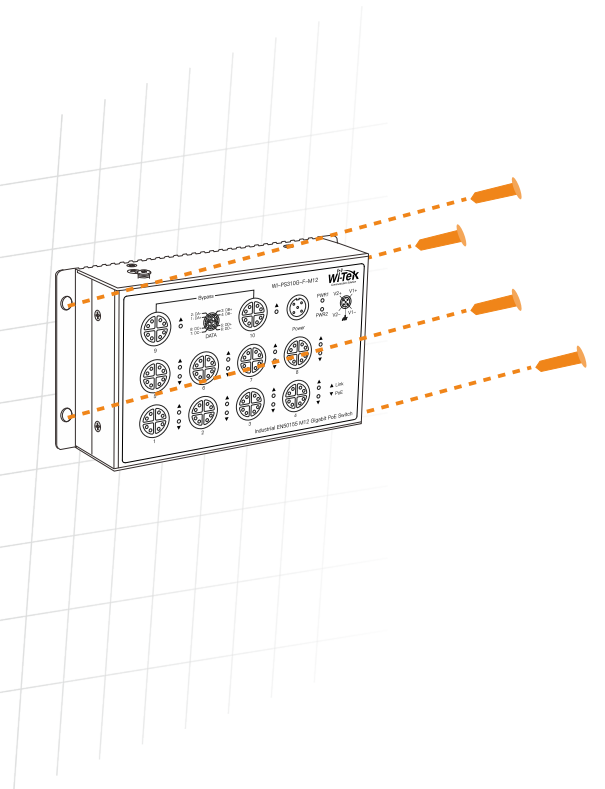
LED Indicators	Description
PWR1	On: Power 1 is detected
PWR2	On: Power 2 is detected
PoE	On: PoE enabled Off: PoE disabled
Link	On: Port connected Off: Port disconnected Blinking: Data transmission

## 3. Installation

• 3.1 DIN-rail Installation  
(For WI-PS305G-F-M12)



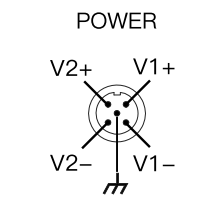
• 3.2 Wall-mount Installation



## 4. DC Power Cable Connection

The 5-pin M12 A-Coded male connector on the switch is used for the DC power input and supports 48-56VDC(WI-PS305G-F-M12)/24-56VDC(WI-PS310G-F-M12) power input.

WARNING -- Any exceeded input voltage will not make this unit function and may damage this unit.  
WARNING -- Always ground the power source to maintain a clean power input. Cheaply made power supplies create too much noise and will cause the power input to fluctuate when connected to this unit. Always ground the power source to maintain a clean power input to avoid this.



## Warranty Card

Username	
Address	
Telephone No.	
Purchase Shop	
Purchase Address	
Product Model No.	
Purchase Time	
Serial No.	
Dealer Signature	

- If the product defects within the warranty period, we will provide professional maintenance service.
- Proof of purchase and a complete product serial number are required to receive any services guaranteed as part of the limited warranty.
- Any other defects that are not caused by workmanship or product quality, such as natural disasters, water damage, extreme thermal or environmental conditions, sticker damaged, warranty card loss will disqualify the product from limited warranty.



Wireless-Tek Technology Limited  
Address: Building 3, Units 1801-1807, 1812,  
Huaqiang Era Plaza, Tangwei Community,  
Fuhai Street, Bao'an District, Shenzhen City,  
Guangdong Province, China.  
Website: www.wireless-tek.com  
Tel: 86-0755-32811290  
Email: sales@wireless-tek.com  
Technical Support: tech@wireless-tek.com