

# 2P 230VAC 20A Automatic Reclosing Protector



WI-RP20A-230AC-2P

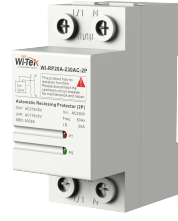
## Overview

This product can quickly cut off the power supply under the condition of high voltage and undervoltage, which protects household appliance. When the voltage returns to the normal value, it can automatically switch on the circuit after delay and restore power supply, which can effectively protect electrical appliance under the shock of the instant power supply. All functions are automated, no need manual operation.

## Features

- . Overvoltage and Undervoltage Protection
- . Self Recovery Design with No Manual Operation
- . Low Power Consumption for Power Saving
- . High-Reliability Performance, Short Circuit Limited Current up to 6KA
- . Visual LED Indicator

# Specifications

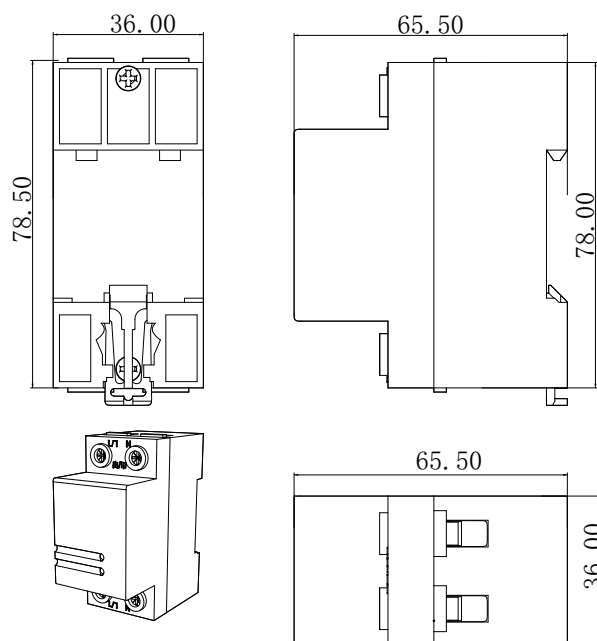


Model	WI-RP20A-230AC-2P
Rated Current	20 A
Rated Voltage*	230V AC
Rated Frequency*	50 Hz
Overvoltage Start Value*	275±5 V
Undervoltage Start Value*	175±5 V
Overvoltage Recovery Value*	240-260 V
Undervoltage Recovery Value*	190±5 V
Overvoltage and Undervoltage Start Time	30±5 s
Power Consumption	< 1 W
Mechanical Lifespan	> 100,000 times
Enclosure Protection Material	PBT
Enclosure Protection Class	IP20
Mounting	35mm Standard Rail
Operating Temperature	-40~70°C

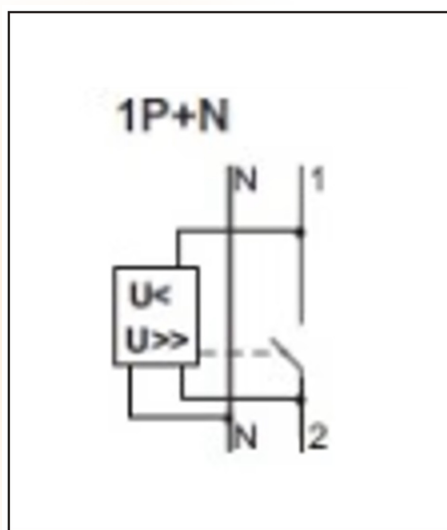
Note: The value marked in red \*can be customized

WI-RP20A-230AC-2P

Dimensions (mm)

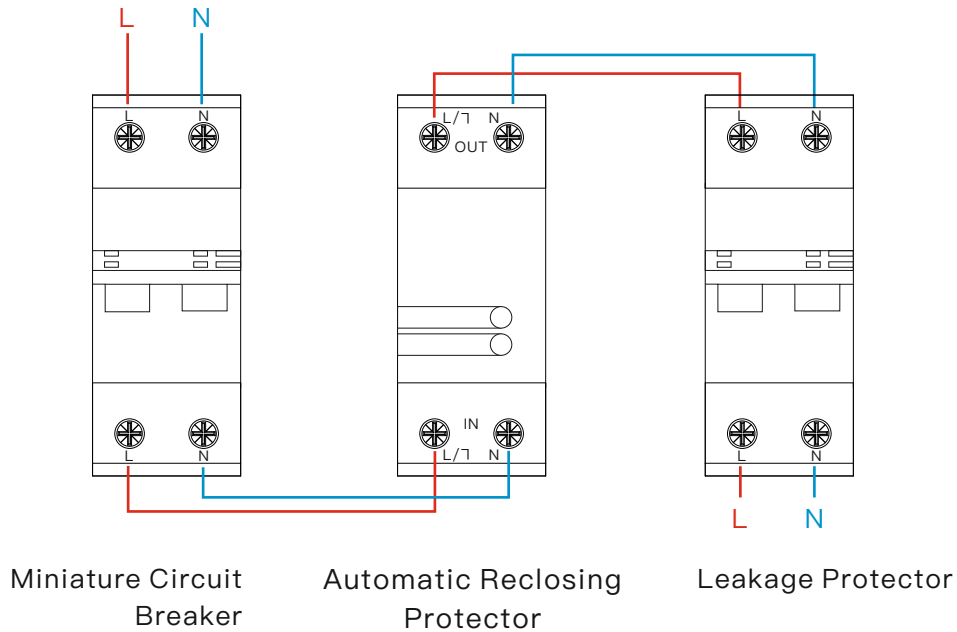


Application schematic diagram



WI-RP20A-230AC-2P

Application Diagram



Miniature Circuit Breaker

Automatic Reclosing Protector

Leakage Protector

**Instructions for Use**

1. Connect the input (IN) and output (OUT) terminals correctly according to the product marking (the load power should be less than the rated power of the product).
2. The two indicator lights on the product panel indicate the status: when the power is connected, the power indicator light turns green; when the power supply is normal, the protection indicator light remains off; when in protection state, the protection indicator light turns red, and the protection function is activated, cutting off the power supply to the load.

**Precautions**

1. When the power is connected to the input terminal for the first time after the product is powered on normally, there will be a delay time (<1 minute) before the product is powered on.
2. When the voltage is abnormal and the protection state is entered, only one set of contacts of the internal relay cuts off the live wire. Make sure to connect the neutral wire (N) and the phase wire (live wire L) correctly during installation; otherwise, the load may be electrified.
3. Do not touch the electrified parts after the product is powered on to avoid electric shock.
4. When wiring, make sure to tighten the screws of the wiring terminals; otherwise, poor contact may cause heating at the wiring terminals, damaging the product or causing other accidents.



Wireless-Tek Technology Limited

Address: Building 3, Units 1801-1807, 1812, Huaqiang Era Plaza, Tangwei Community, Fuhai Street, Bao'an District, Shenzhen City, Guangdong Province, China.

Website: [www.wireless-tek.com](http://www.wireless-tek.com)

Tel: 86-0755-32811290

Email: [sales@wireless-tek.com](mailto:sales@wireless-tek.com)

Technical Support: [tech@wireless-tek.com](mailto:tech@wireless-tek.com)



Technical Support



Cloud Management



Company Website