



CPE Mounting Bracket

WI-BRKC135 V2

Overview

Wi-Tek CPE Mounting Bracket: For small-to-medium CPEs, modular design, supports wall/pole mounting, fits square and round poles, multi-CPE compatible, large-angle adjustable, heavy steel with baking varnish, anti-ultraviolet, corrosion-resistant, durable in harsh environments.



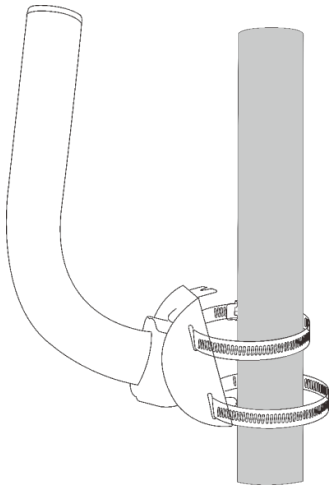
Specifications

Model	WI-BRKC135
Hardware Features	
Hardware Version	V2.0
Material	Steel
Color	White
Installation	<100 mm round pole mounted <70 mm square pole mounted Wall mounted
Adjustable Angle	0~+25°(UP), 0~-45°(DOWN)
Dimensions	260*160*87mm @0° φ35mm round arm pole for CPE installation
Weight	0.29kg
Standard Accessories	1*Bracket 2*330mm metal cable tie(Supports up to diameter of 100mm round pole)

Installation

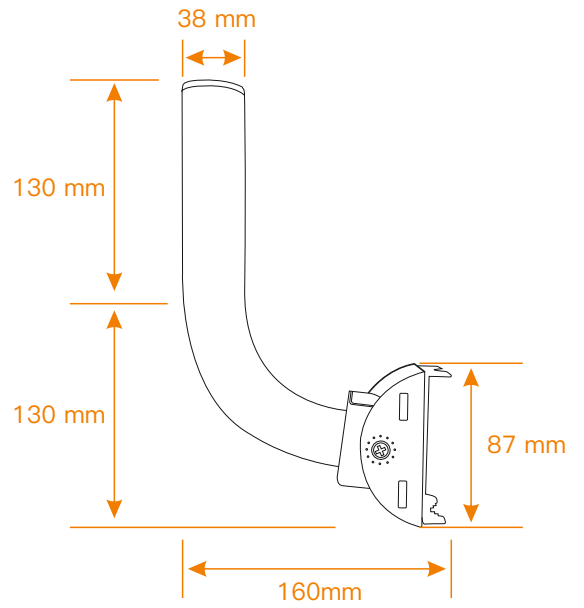
WI-BRKC135

Pole Mounted

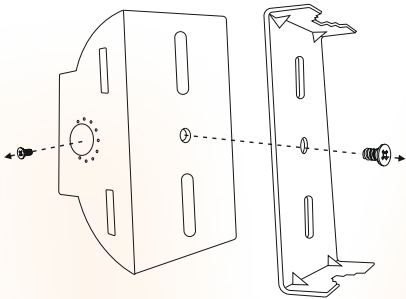


Insert the metal cable tie through the mounting hole and install it on the pole.

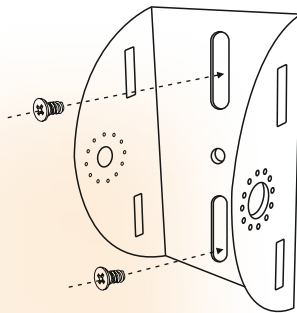
Dimensions (mm)



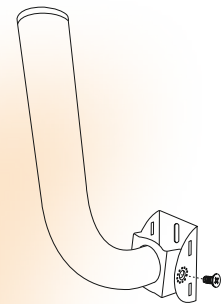
Wall Mounted



1. Remove the pole mounting assembly and bracket mounting arm.

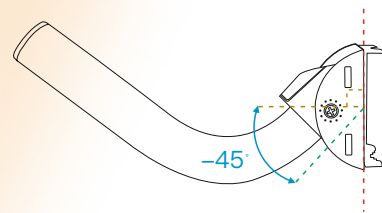
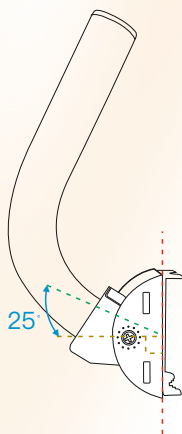


2. Nail the wall hanging assembly to the wall.



3. Install CPE mounting arm and adjust Angle.

Angle Adjustment



Package Contents

Welcome to order our products. After purchasing, you will receive:

Items	Quantity
CPE Mounting Bracket	1 pcs
330mm Metal Cable Tie	2 pcs



Wireless-Tek Technology Limited
 Address: Building 3, Units 1801-1807, 1812, Huaqiang Era Plaza, Tangwei Community, Fuhai Street, Bao'an District, Shenzhen City, Guangdong Province, China.
 Website: www.wireless-tek.com
 Tel: 86-0755-32811290
 Email: sales@wireless-tek.com
 Technical Support: tech@wireless-tek.com



Technical Support



Cloud Management



Company Website