

Datasheet

Full Gigabit 48V 802.3af /at PoE Switch

WI-PS305G | WI-PS308G | WI-PS305GF | WI-PS309GF
WI-PS310GF | WI-PS318GF | WI-PS320GF
WI-PS326GF | WI-PS328GF | WI-PS348G



Overview

Wi-Tek's Full Gigabit Switch Series provides 4/8/16/24/48 ports with Gigabit speeds, and it is an unmanaged PoE switch that requires no configuration. It offers plug-and-play convenience, rich functionality, and cost-effective pricing. A variety of useful features are provided such as VALN, CCTV, Extend, and PoE Auto Recovery to enhance your network safety and reliability. It can supply power to PoE terminal equipment such as wireless AP, VoIP, visual intelligent building intercom through network cable, and meet the network environment that needs high-density PoE power supply. It is suitable for hotel, campus, and small and medium-sized enterprises.

Features

Full Gigabit access, full-line speed forwarding

All ports support high-speed forwarding, user-flexible networking, to meet the needs of various scenarios networking, such as hotels, campus, factory dormitories and small and medium-sized enterprises.

PoE power supply

Compatible with IEEE 802.3af/at PoE powered devices, meeting the needs of security monitoring, teleconferencing system, wireless coverage, and other scenarios.

DIP – Data Optimization

Default: The transmission distance of PoE port can be up to 100m with 100Mbps.

VLAN: Enable isolation between all downstream ports, while maintaining data communication with the upstream port, effectively preventing broadcast storms.

Extend: Extend the power supply and network transmission distance of PoE ports from the standard 100m to an impressive 250m, though with a reduced port rate of 10Mbps. Elevate your networking experience with enhanced flexibility and efficiency.

CCTV: Video priority. Designate the priority of traffic based on QoS, ensuring latency sensitive applications like video, remain clear and lag-free with CCTV mode.

Specifications



Model	WI-PS305G	WI-PS308G	WI-PS305GF	WI-PS309GF
Hardware Specifications				
Hardware Version	V2	V2	V1	V1
Interfaces				
Downlink Ports	4 1000Mbps RJ45 PoE Ports	8 1000Mbps RJ45 PoE Ports	4 1000Mbps RJ45 PoE Ports	8 1000Mbps RJ45 PoE Ports
Uplink Ports	1 1000Mbps RJ45 Port	2 1000Mbps RJ45 Ports	1 1000Mbps RJ45 Port 1 1000Mbps SFP Slot	1 1000Mbps RJ45 Port 1 1000Mbps SFP Slot
PoE				
PoE Port	Port 1– 4	Port 1– 8	Port 1– 4	Port 1– 8
PoE Standard	Port 1: 802.3bt 60 W Port 2–4: 802.3af/at	Port 1: 802.3bt 60 W Port 2–8: 802.3af/at	802.3af/at	
PoE Watchdog	Yes		NO	
PoE Power Supply Type	Mid–span and End–span		End–span	
PoE Pin Assignment	1/2(+), 3/6(-) or 4/5(+), 7/8(-)		1/2(+), 3/6(-)	
PoE Power	Port 1: 60W max. Port 2–4: 30W Max. Total PoE power budget: 63 W max.	Port 1: 60W max. Port 2–4: 30W Max. Total PoE power budget: 118 W max.	30 W Max. for each port, 63 W Max. for PoE power budget	30 W Max. for each port, 118 W Max. for PoE power budget
Switch Property				
Standards and Protocols	IEEE 802.3 (Ethernet) IEEE 802.3u (Fast Ethernet) IEEE 802.3ab (Gigabit Ethernet) IEEE 802.3af (Power over Ethernet) IEEE 802.3at (Power over Ethernet Plus) IEEE 802.3bt (Power over Ethernet Type 3)		IEEE 802.3 (Ethernet) IEEE 802.3u (Fast Ethernet) IEEE 802.3ab (Gigabit Ethernet) IEEE 802.3af (Power over Ethernet) IEEE 802.3at (Power over Ethernet Plus) IEEE 802.3z (Gigabit Ethernet over Fiber)	
Forwarding Mode	Store and Forward			
Switching Capacity	12 Gbps	20 Gbps	12 Gbps	20 Gbps
Packet Forwarding Rate	8.93 Mpps	14.88 Mpps	8.93 Mpps	14.88 Mpps
MAC Address Table	2k			
Packet Buffer Memory	2.5Mbit			
Jumbo Frame	9 kB			
Power Supply				
Input Power	AC 100–240V 1A	AC 100–240V 1.4A	AC 100V–240V 1A	AC 100–240V 1.8A DC 48–55V Input
Power Consumption	Idle: 2 W 100% Traffic Rate with PoE: 65 W	Idle: 2 W 100% Traffic Rate with PoE: 120 W	Idle: 2 W 100% Traffic Rate with PoE: 65 W	Idle: 2 W 100% Traffic Rate with PoE: 120 W



Model	WI-PS305G	WI-PS308G	WI-PS305GF	WI-PS309GF
Physical Characteristics				
LED Indicators	<p>P On: The device power on is normal Off: The device is power off or failed</p> <p>PoE On: PoE is working Off: PoE not working</p> <p>Link On: Data on TX/RX Off: Ports link down</p> <p>E On: DIP switch is enabled in Extend mode</p> <p>V On: DIP switch is enabled in VLAN mode</p> <p>1000M On: The negotiate speed is 1000Mbps and ports link up Off: The negotiate speed is 10/100Mbps, not 1000Mbps</p>	<p>P On: The device power on is normal Off: The device is power off or failed</p> <p>PoE On: PoE is working Off: PoE not working</p> <p>Link On: Data on TX/RX Off: Ports link down</p> <p>E On: DIP switch is enabled in Extend mode</p> <p>V On: DIP switch is enabled in VLAN mode</p> <p>1000M On: The negotiate speed is 1000Mbps and ports link up Off: The negotiate speed is 10/100Mbps, not 1000Mbps</p>	<p>Power On: The device power on is normal Off: The device is power off or failed</p> <p>PoE On: PoE is working Off: PoE not working</p> <p>Link On: Data on TX/RX Off: Ports link down</p> <p>E On: DIP switch is enabled in Extend mode</p> <p>6(SFP) Blinking: Indicates that the Switch is actively sending or receiving data over that port. On: Indicates the link through that port is successfully established at 10/100/1000Mbps. Off: No device is connected to the corresponding port.</p> <p>1000M On: The negotiate speed is 1000Mbps and ports link up Off: The negotiate speed is 10/100Mbps, not 1000Mbps</p>	<p>POWER On: The device power on is normal Off: The device is power off or failed</p> <p>PoE On: PoE is working Off: PoE not working</p> <p>Link On: Data on TX/RX Off: Ports link down</p> <p>9(SFP) Blinking: Indicates that the Switch is actively sending or receiving data over that port. On: Indicates the link through that port is successfully established at 10/100/1000Mbps. Off: No device is connected to the corresponding port.</p> <p>1000M On: The negotiate speed is 1000Mbps and ports link up Off: The negotiate speed is 10/100Mbps, not 1000Mbps</p>
Fan Quantity	Fanless			
Dimensions (W*D*H)	190x131x33mm	210x151x33mm	189x131x33mm	280x140x44mm
Weight	Net Weight: 0.62 kg	Net Weight: 0.79 kg	Net Weight: 0.615 kg	Net Weight: 1.1 kg
	Package Weight: 1.045 kg	Package Weight: 1.21 kg	Package Weight: 1.03 kg	Package Weight: 1.495 kg
Installation	Wall-Mounted、Desktop			Desktop
Button				
DIP Switch	Default/VLAN/Extend(for WI-PS305G WI-PS308G only port1-2 support Extend mode)			Default/VLAN/CCTV(QoS)



Model		WI-PS305G	WI-PS308G	WI-PS305GF	WI-PS309GF
Environmental					
Reliability	Surge Immunity	IEC 61000-4-5 Common mode 6kV Differential mode 2kV			
	ESD Protection	IEC 61000-4-2 Contact discharge 6kV Air discharge 8kV			
Operating Temperature		-10°C to 55°C(14°F to 131°F)			
Operating Humidity		10%~90% RH no condensation			
Storage Temperature		-40°C to 70°C(-40°F to 158°F)			
Storage Humidity		5%~90% RH no condensation			
Others					
Certification		CE, FCC, RoHS, UKCA, RCM			
Network Media		10Base-T: Pair 2 Category 3(cat 3) and above UTP/STP(≤100m) 100Base-TX: Pair 2 Category 5(cat 5) and above UTP/STP(≤100m) 1000BASE-TX: 6 Category and above UTP(≤100m)			



Model	WI-PS310GF	WI-PS318GF	WI-PS320GF	WI-PS326GF
Hardware Specifications				
Hardware Version	V1	V1	V1	V1
Interfaces				
Downlink Ports	8 1000Mbps RJ45 PoE Ports	16 1000Mbps RJ45 PoE Ports	16 1000Mbps RJ45 PoE Ports	24 1000Mbps RJ45 PoE Ports
Uplink Ports	2 1000Mbps SFP Slots	2 1000Mbps SFP Slots	2 1000Mbps Combo SFP Ports	2 1000Mbps SFP Slots
PoE				
PoE Port	Port 1– 8	Port 1– 16	Port 1– 16	Port 1– 24
PoE Standard	802.3 af/at			
PoE Power Supply Type	End-span		End-span	
PoE Pin Assignment	1/2(+), 3/6(-)		1/2(+), 3/6(-)	
PoE Power	30W Max. for each port, 146 W Max. for PoE power budget	30W Max. for each port, 295 W Max. for PoE power budget	30W Max. for each port, 293 W Max. for PoE power budget	30W Max. for each port, 388 W Max. for PoE power budget
Switch Property				
Standards and Protocols	IEEE 802.3 (Ethernet) IEEE 802.3u (Fast Ethernet) IEEE 802.3ab (Gigabit Ethernet) IEEE 802.3af (Power over Ethernet) IEEE 802.3at (Power over Ethernet Plus) IEEE 802.3z (Gigabit Ethernet over Fiber)			
Forwarding Mode	Store and Forward			
Switching Capacity	20 Gbps	36 Gbps	36 Gbps	52 Gbps
Packet Forwarding Rate	14.88 Mpps	26.78 Mpps	26.78 Mpps	38.69 Mpps
MAC Address Table	2 k	8 k		
Packet Buffer Memory	2.5Mbit	4 Mbit		
Jumbo Frame	9 kB			
Power Supply				
Input Power	AC 100–240V 1.8A DC 37–57V	AC 100–240V 3.6A	AC 100–240V 3.6A	AC 100–240V 4.5A
Power Consumption	Idle: 4 W 100% Traffic Rate with PoE: 150 W	Idle: 5 W 100% Traffic Rate with PoE: 300 W	Idle: 7 W 100% Traffic Rate with PoE: 300 W	Idle: 12 W 100% Traffic Rate with PoE: 400 W



Model	WI-PS310GF	WI-PS318GF	WI-PS320GF	WI-PS326GF
Physical Characteristics				
LED Indicators	<p>POWER On: The device power on is normal Off: The device is power off or failed</p> <p>PoE On: PoE is working Off: PoE not working</p> <p>Link On: Data on TX/RX Off: Ports link down</p> <p>9、10(SFP) Blinking: Indicates that the Switch is actively sending or receiving data over that port. On: Indicates the link through that port is successfully established at 10/100/1000Mbps. Off: No device is connected to the corresponding port.</p>	<p>PWR On: The device power on is normal Off: The device is power off or failed</p> <p>PoE On: PoE is working Off: PoE not working</p> <p>Link/Act On: Data on TX/RX Off: Ports link down</p> <p>1000M On: The negotiate speed is 1000Mbps and ports link up Off: The negotiate speed is 10/100Mbps, not 1000Mbps</p>	<p>POWER On: The device power on is normal Off: The device is power off or failed</p> <p>PoE On: PoE is working Off: PoE not working</p> <p>Link On: Data on TX/RX Off: Ports link down</p> <p>1000M On: The negotiate speed is 1000Mbps and ports link up Off: The negotiate speed is 10/100Mbps, not 1000Mbps</p> <p>19,20(SFP) Blinking: Indicates that the Switch is actively sending or receiving data over that port. On: Indicates the link through that port is successfully established at 10/100/1000Mbps. Off: No device is connected to the corresponding port.</p>	<p>PWR On: The device power on is normal Off: The device is power off or failed</p> <p>PoE On: PoE is working Off: PoE not working</p> <p>Link/Act On: Data on TX/RX Off: Ports link down</p> <p>1000M On: The negotiate speed is 1000Mbps and ports link up Off: The negotiate speed is 10/100Mbps, not 1000Mbps</p>
Fan Quantity	Fanless	2		
Dimensions (W*D*H)	280x140x44mm	440x291x44mm	295x193x45mm	440x291x44mm
Weight	Net Weight: 0.97 kg	Net Weight: 3.23 kg	Net Weight: 1.865 kg	Net Weight: 3.21 kg
	Package Weight: 1.555 kg	Package Weight: 4.01 kg	Package Weight: 2.585 kg	Package Weight: 4.005 kg
Installation	Rack-Mounted、Desktop			
Button				
DIP Switch	Default/VLAN/Extend	Default/VLAN/CCTV(QoS)		



Model		WI-PS310GF	WI-PS318GF	WI-PS320GF	WI-PS326GF
Environmental					
Reliability	Surge Immunity	IEC 61000-4-5 Common mode 6kV Differential mode 2kV			
	ESD Protection	IEC 61000-4-2 Contact discharge 6kV Air discharge 8kV			
Operating Temperature		-10°C to 55°C(14°F to 131°F)			
Operating Humidity		10%~90% RH no condensation			
Storage Temperature		-40°C to 70°C(-40°F to 158°F)			
Storage Humidity		5%~90% RH no condensation			
Others					
Certification		CE, FCC, RoHS, UKCA, RCM			
Network Media		10Base-T: Pair 2 Category 3(Cat3) and above UTP/STP(≤100m) 100Base-TX: Pair 2 Category 5(Cat5) and above UTP/STP(≤100m) 1000Base-T: Pair 4 Category 5(Cat5e) and above UTP/STP(≤100m) 1000Base-SX:62.5μm/50μm MMF(2m~550m) 1000Base-L X:62.5μm/50μm MM(2m~550m) or 10μm SMF(2m~5000m)			



Model	WI-PS328GF	WI-PS348G
Hardware Specifications		
Hardware Version	V1	V1
Interfaces		
Downlink Ports	24 1000Mbps RJ45 PoE Ports	48 1000Mbps RJ45 PoE Ports
Uplink Ports	4 1000Mbps Combo SFP Ports	/
PoE		
PoE Port	Port 1–24	Port 1–48
PoE Standard	802.3 af/at	
PoE Power Supply Type	End-span	
PoE Pin Assignment	1/2(+), 3/6(-)	
PoE Power	30W Max. for each port, 386 W Max. for PoE power budget	30W Max. for each port, 540 W Max. for PoE power budget
Switch Property		
Standards and Protocols	IEEE 802.3 (Ethernet) IEEE 802.3u (Fast Ethernet) IEEE 802.3ab (Gigabit Ethernet) IEEE 802.3af (Power over Ethernet) IEEE 802.3at (Power over Ethernet Plus)	
Forwarding Mode	Store and Forward	
Switching Capacity	56 Gbps	96 Gbps
Packet Forwarding Rate	41.66 Mpps	71.42 Mpps
MAC Address Table	8 k	
Packet Buffer Memory	4 Mbit	
Jumbo Frame	9 kB	
Power Supply		
Input Power	AC 100–240V 50/60 HZ	AC 100–240V 50/60 HZ
Power Consumption	Idle: 14 W 100% Traffic Rate with PoE: 400 W	Idle: 60 W 100% Traffic Rate with PoE: 600 W

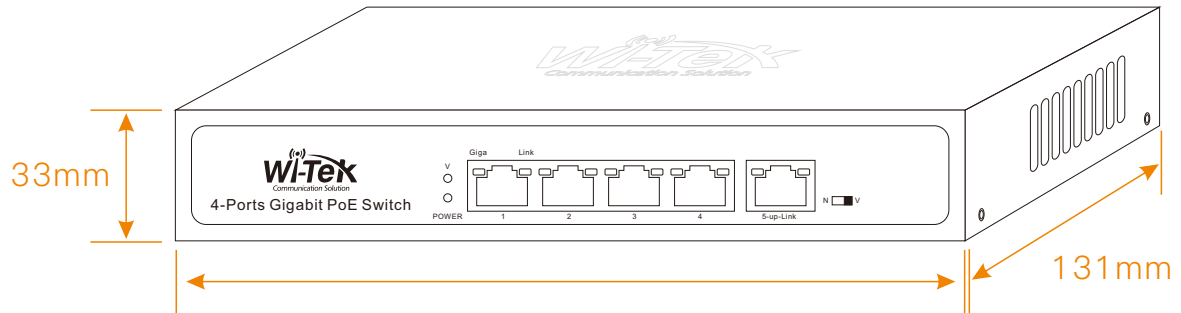


Model		WI-PS328GF	WI-PS348G
Physical Characteristics			
LED Indicators		<p>PWR On: The device power on is normal Off: The device is power off or failed</p> <p>PoE On: PoE is working Off: PoE not working</p> <p>Link/ACT On: Data on TX/RX Off: Ports link down</p> <p>1000M Blinking: The negotiate speed is 1000Mbps and data on TX/RX On: The negotiate speed is 1000Mbps and ports link up Off: The negotiate speed is 10/100Mbps, not 1000Mbps</p>	<p>PW On: The device power on is normal Off: The device is power off or failed</p> <p>LNK(1-48) Solid on: Port connected Blinking: Data transmission Off: Port disconnected</p>
Fan Quantity		2	
Dimensions (W*D*H)		440x300x45mm	440x313x44mm
Weight		Net Weight: 3.21kg	Net Weight: 4.43kg
		Package Weight: 4.005kg	Package Weight: 4.97kg
Installation		Rack-mounted, Desktop	
Environmental			
Reliability	Surge Immunity	IEC 61000-4-5 Common mode 6kV Differential mode 2kV	
	ESD Protection	IEC 61000-4-2 Contact discharge 6kV Air discharge 8kV	
Operating Temperature		-10°C to 55°C(14°F to 131°F)	
Operating Humidity		10%~90% RH no condensation	
Storage Temperature		-40°C to 70°C(-40°F to 158°F)	
Storage Humidity		5%~90% RH no condensation	
Certification			
Certification		CE, FCC, RoHS, UKCA, RCM	
Network Media		<p>10Base-T: Pair 2 Category 3(Cat3) and above UTP/STP (≤100m)</p> <p>100Base-TX: Pair 2 Category 5(Cat5) and above UTP/STP (≤100m)</p> <p>1000Base-T: Pair 4 Category 5(Cat5e) and above UTP/STP (≤100m)</p> <p>1000Base-SX:62.5μm/50μm MMF(2m~550m)</p> <p>1000Base-L X:62.5μm/50μm MM(2m~550m) or 10μm SMF (2m~5000m)</p>	<p>10Base-T: Pair 2 Category 3(cat 3) and above UTP/STP (≤100m)</p> <p>100Base-TX: Pair 2 Category 5(cat 5) and above UTP/STP (≤100m)</p> <p>1000BASE-TX: 6 Category and above UTP(≤100m)</p>

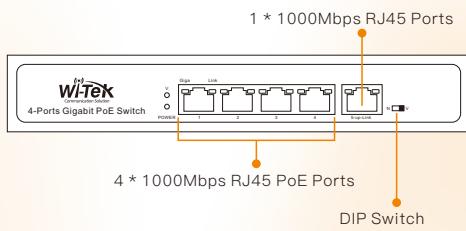
Appearances and Dimensions

WI-PS305G

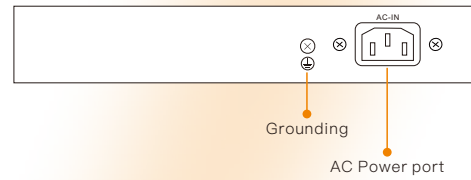
Dimensions (mm)



Front Panel

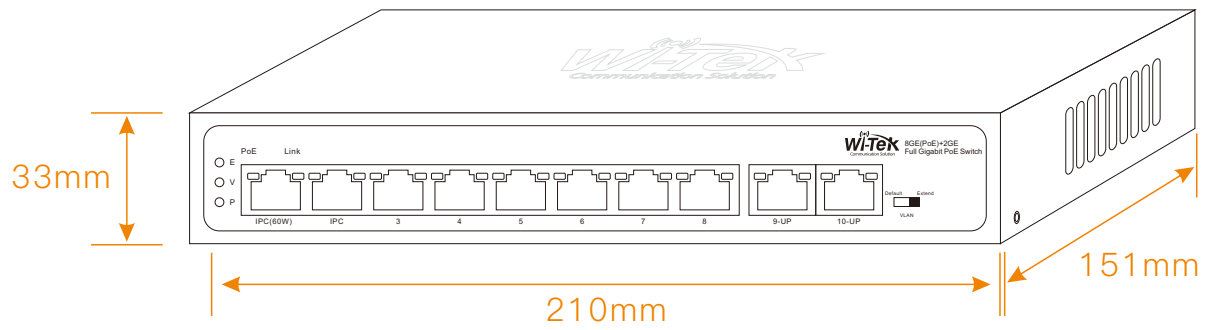


Rear Panel

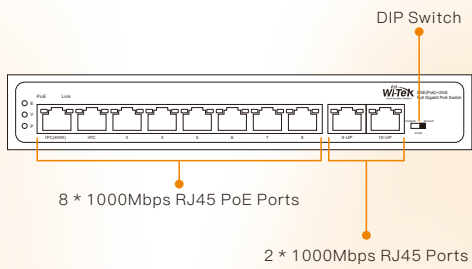


WI-PS308G

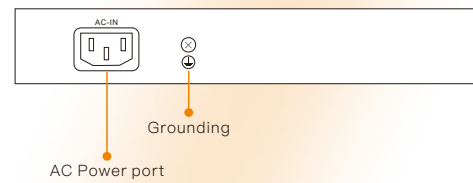
Dimensions (mm)



Front Panel

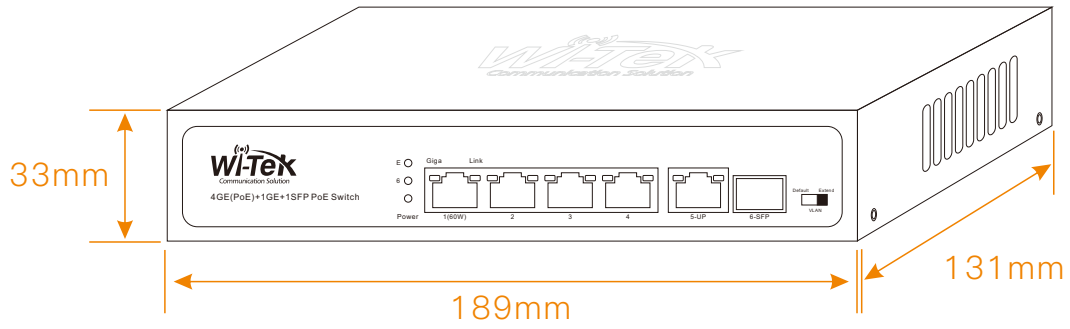


Rear Panel

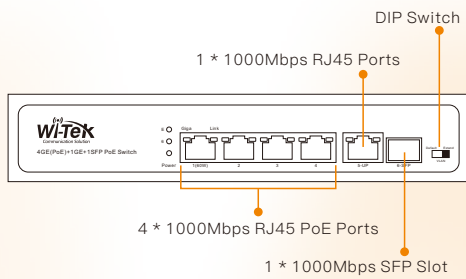


WI-PS305GF

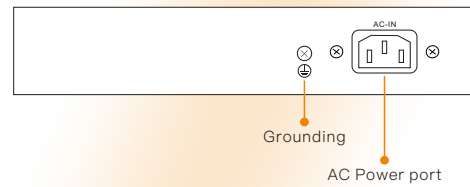
Dimensions (mm)



Front Panel

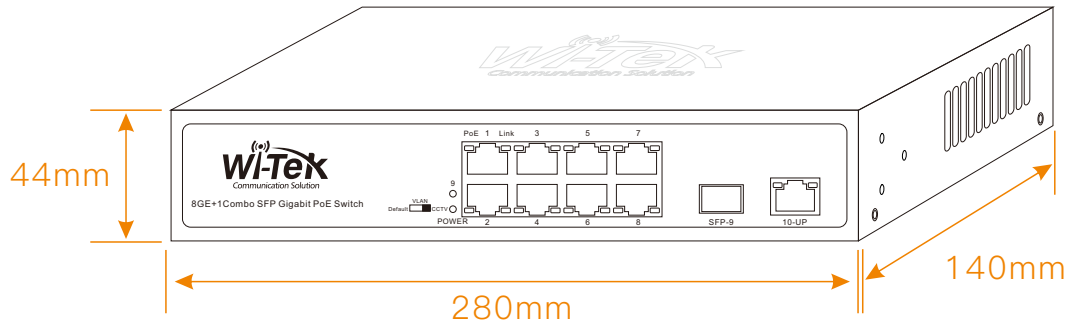


Rear Panel

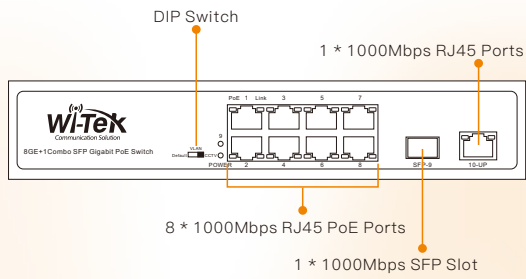


WI-PS309GF

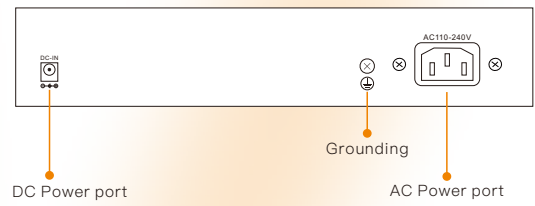
Dimensions (mm)



Front Panel

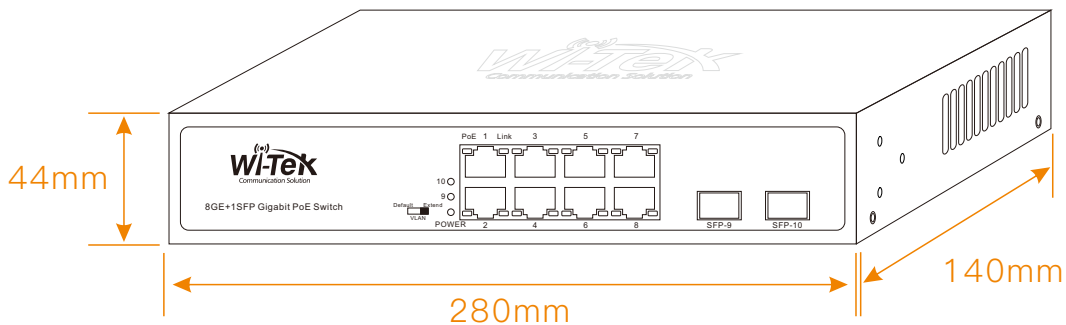


Rear Panel

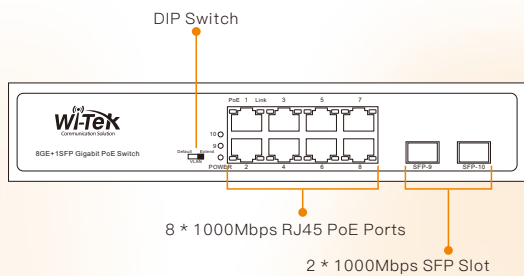


WI-PS310GF

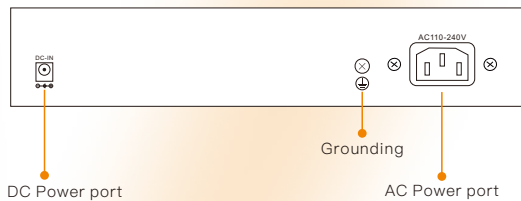
Dimensions (mm)



Front Panel

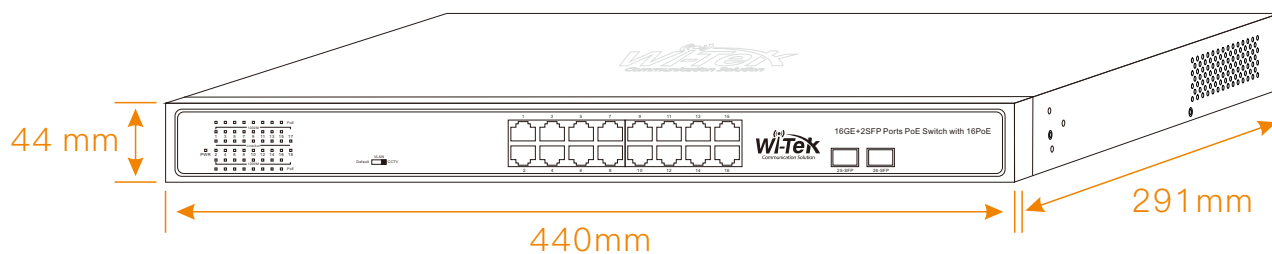


Rear Panel

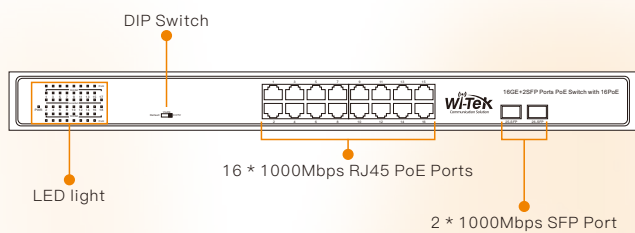


WI-PS318GF

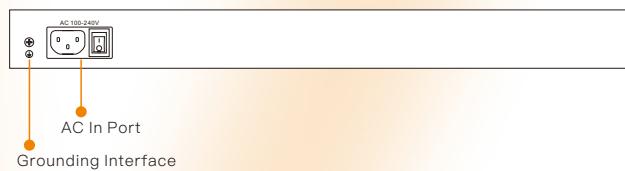
Dimensions (mm)



Front Panel

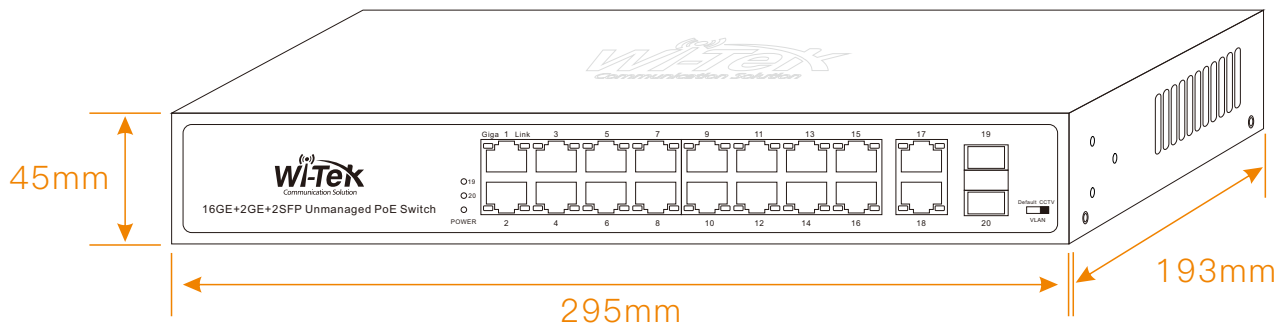


Rear Panel

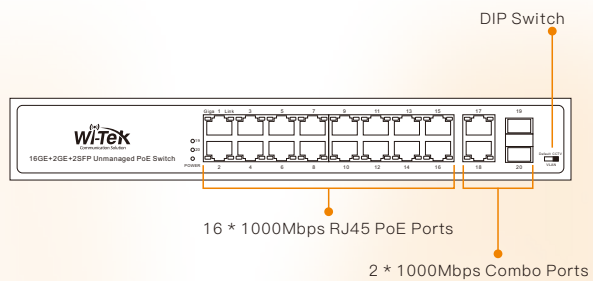


WI-PS320GF

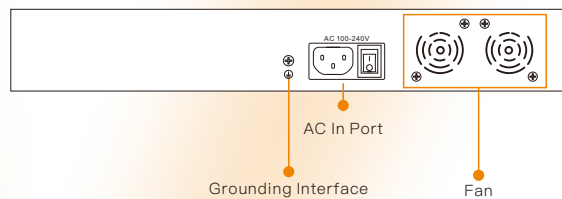
Dimensions (mm)



Front Panel

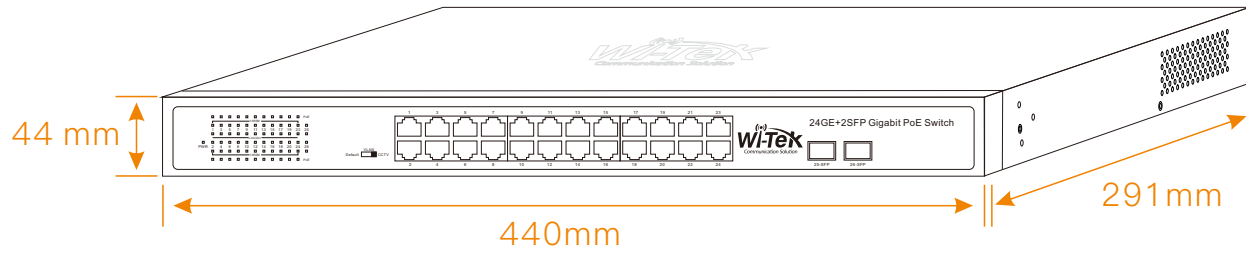


Rear Panel

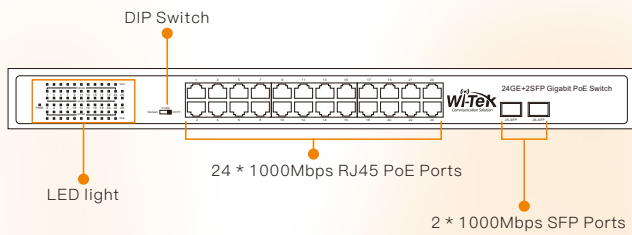


WI-PS326GF

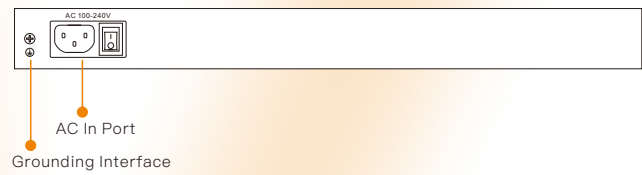
Dimensions (mm)



Front Panel

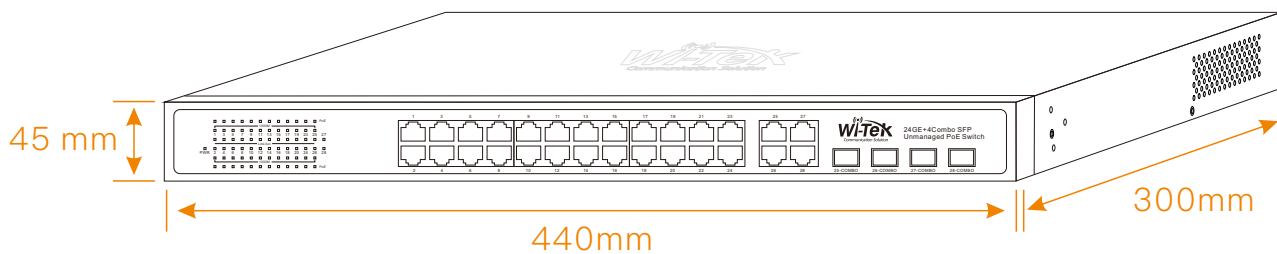


Rear Panel

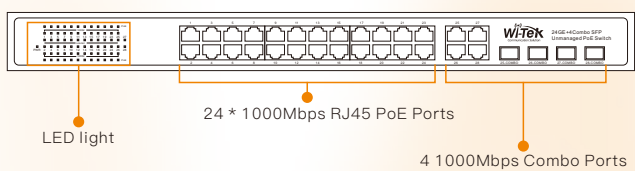


WI-PS328GF

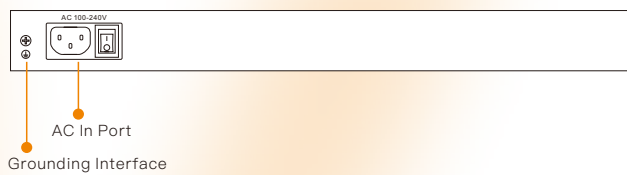
Dimensions (mm)



Front Panel

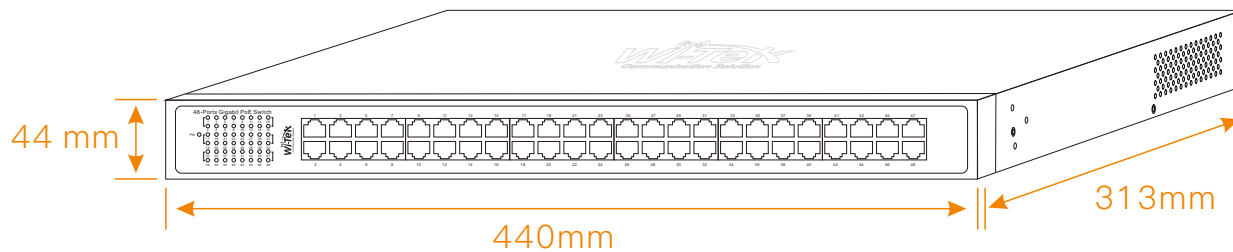


Rear Panel

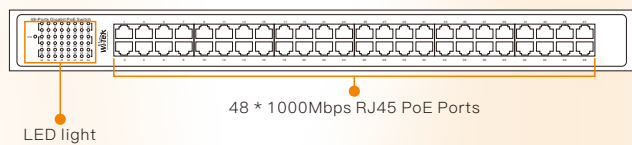


WI-PS348G

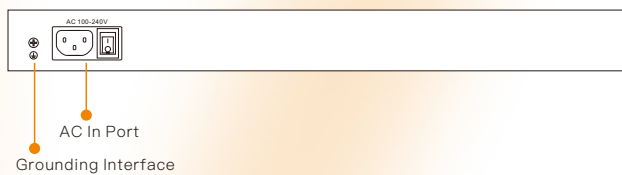
Dimensions (mm)



Front Panel



Rear Panel



Package Contents

Welcome to order our products. After purchasing, you will receive:

Items	Quantity
Switch (all)	1 pcs
AC Power Cord (all)	1 pcs
Wall Mount kit (WI-PS305G WI-PS308G WI-PS305GF)	1 pcs
Rack mount kit (WI-PS310GF WI-PS318GF WI-PS320GF WI-PS326GF WI-PS328GF WI-PS348G)	1 pcs
Quick Installation Guide (all)	1 pcs



Wireless-Tek Technology Limited
 Address: Biaofan Technology Building 402, Bao'an street,
 Baoan District, Shenzhen City, Guangdong, China
 Website: www.wireless-tek.com
 Tel: 86-0755-32811290
 Email: sales@wireless-tek.com
 Technical Support: tech@wireless-tek.com



Technical Support



Cloud Management



Company Website