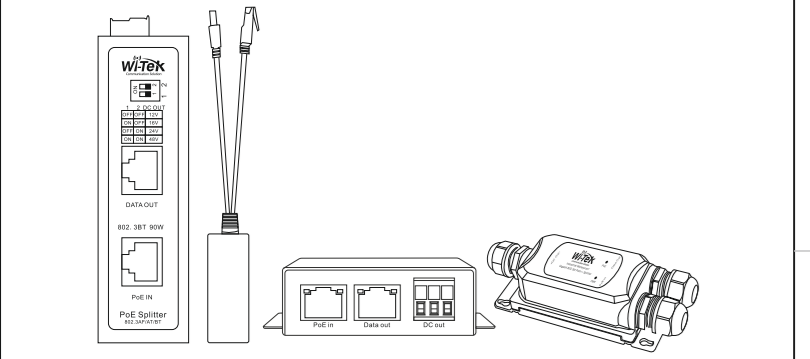


Quick Installation Guide

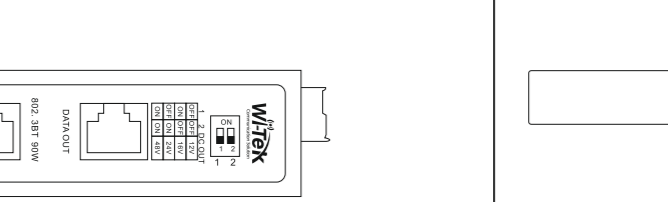
PoE Splitter



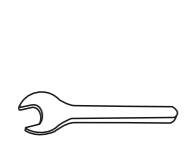
WI-POE11S-48V | WI-POE56S-BT-I-O |
WI-POE55S-BT-I-DC | WI-POE31S

1. Package Contents

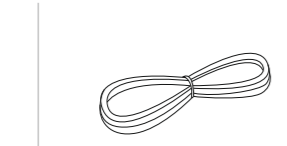
Take WI-POE55S-BT-I-DC as an example



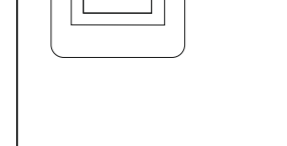
1 x Splitter



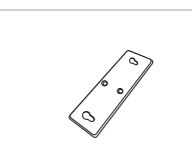
1 x Quick Installation Guide
(only for WI-POE56S-BT-I-O | WI-POE55S-BT-I-DC | WI-POE31S)



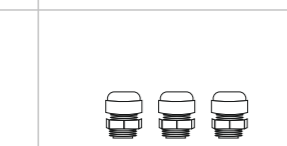
1 x Wrench
(only for WI-POE56S-BT-I-O)



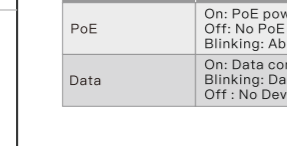
1 x Ground Wire
(only for WI-POE56S-BT-I-O)



2 x Screw Driver
(only for WI-POE55S-BT-I-DC)



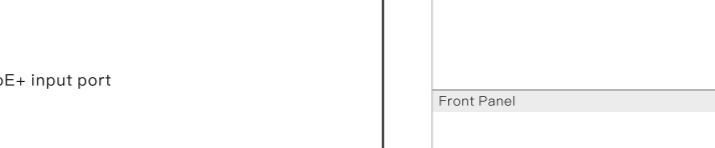
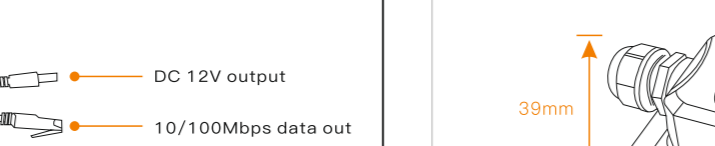
1 x Wall-mounting Accessory
(only for WI-POE55S-BT-I-DC)



3 x M22 Waterproof Gland
(only for WI-POE56S-BT-I-O)

2. Appearance Overview

WI-POE11S-48V



1 10Mbps/100Mbps PoE+ input port

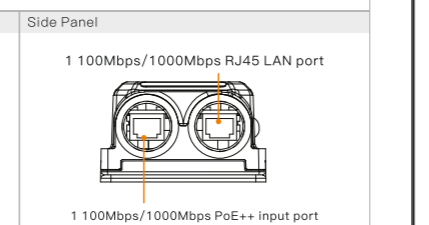
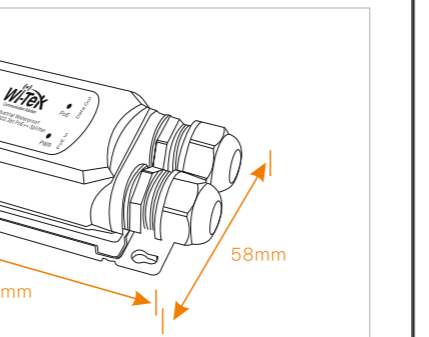
LED indicator

LED Indicators	Description
PoE	On: PoE power received successfully Off: No PoE power supply access Blinking: Abnormal PoE power reception or abnormal DC output
Data	On: Data connection is successful Blinking: Data transmission Off: No Device connected

LED indicator

LED Indicators	Description
PoE	Blinking: Abnormal power reception On: The voltage of PoE output is normal Off: The voltage of PoE output is abnormal
PWR	On: 12V DC output is normal Off: No PoE output or the splitter is abnormal

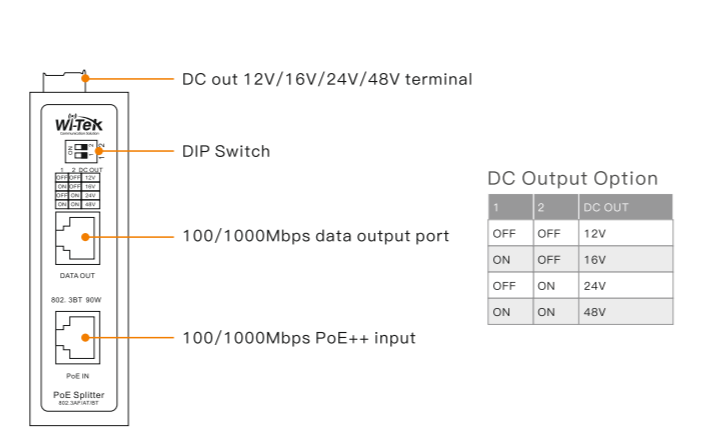
WI-POE56S-BT-I-O



LED indicator

LED Indicators	Description
PoE	Blinking: Abnormal power reception On: The voltage of PoE output is normal Off: The voltage of PoE output is abnormal
PWR	On: 12V DC output is normal Off: No PoE output or the splitter is abnormal

WI-POE55S-BT-I-DC

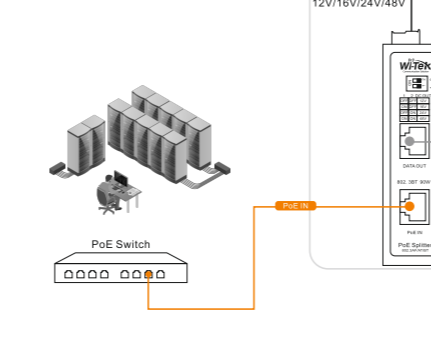


LED indicator

LED Indicators	Description
PoE(Orange)	On: Power received successfully Blinking: Abnormal power reception or abnormal DC output Off: Not working
Data(Green)	On: Data connection is successful Blinking: Data transmission Off: No Device connected

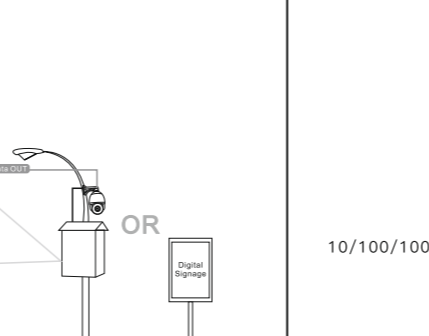
4. Accessories Installation

Application Diagram



WI-POE31S

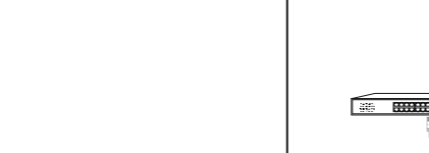
Front panel



LED Indicator light

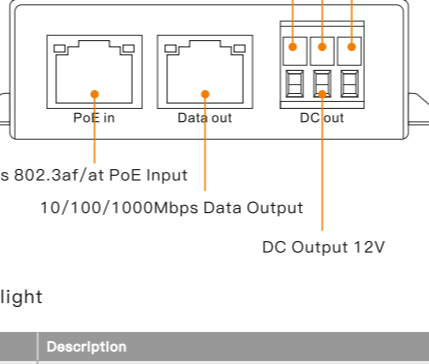
LED	Color	Description
PoE	Orange	On: Power received successfully Blinking: Abnormal power reception or abnormal DC output Off: Not working
Data	Green	On: Data connection is successful Blinking: Data transmission Off: No Device connected

Device Connection Diagram

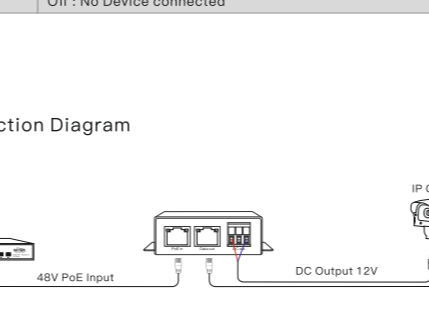


For WI-POE56S-BT-I-O

Step 1: Disassemble the waterproof gland

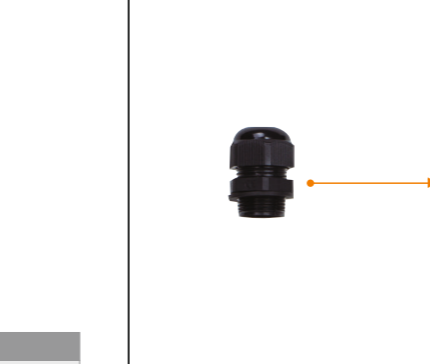


Step 2: Turn the body of waterproof gland to the RJ45 ports and tighten it by the wrench. Pick a cable and run through the sealing insert and clamping nut.

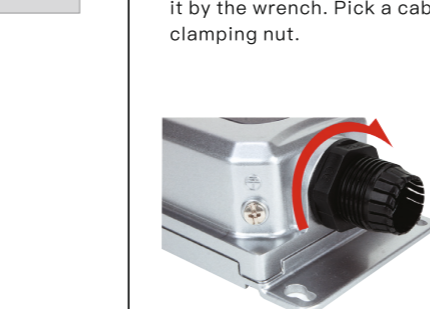


For WI-POE55S-BT-I-DC

Step 3: Plug the cable into the port.



Step 4: Insert the sealing insert into the waterproof gland body.



For WI-POE55S-BT-I-DC

Step 5: Attach the clamping nut to the waterproof gland to complete assembly.



For WI-POE56S-BT-I-O

Step 6: Check it and make sure it is tightly installed.



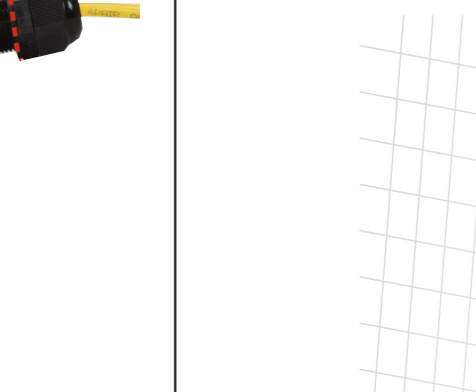
For WI-POE56S-BT-I-O

Step 7: Repeat Step 1 to Step 6 for other ports.

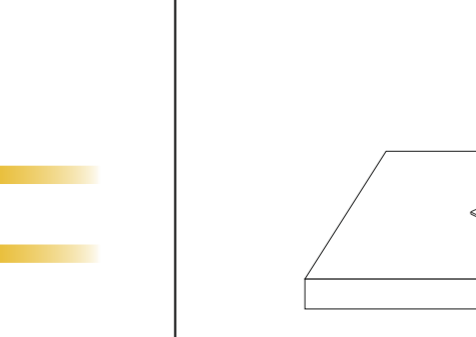


5. Installation

Wall-mount Installation (Only for WI-POE56S-BT-I-O)



Desktop Installation



Warranty Card

Username	
Address	
Telephone No.	
Purchase Shop	
Purchase Address	
Product Model No.	
Purchase Time	
Serial No.	
Dealer Signature	

If the product defects within the warranty period, we will provide professional maintenance service.
Proof of purchase and a complete product serial number are required to receive any services guaranteed as part of the limited warranty.
Any other defects that are not caused by workmanship or product quality, such as natural disasters, water damage, extreme thermal or environmental conditions, sticker damaged, warranty card loss will disqualify the product from limited warranty.



Wireless-Tek Technology Limited
Address: Building 3, Units 1801-1807, 1812, Huaqiang Era Plaza, Tangwei Community, Fuhai Street, Bao'an District, Shenzhen City, Guangdong Province, China.
Website: www.wireless-tek.com
Tel: 86-0755-32811290
Email: sales@wireless-tek.com
Technical Support: tech@wireless-tek.com

