

WI-CPE900-KIT

Wireless CPE for CCTV Quick Installation Guide

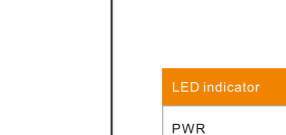
Package contents



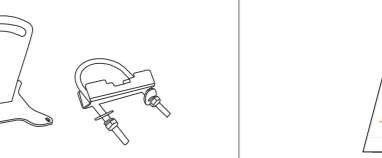
2 X WI-CPE900-KIT



2 X PoE injector



2 X AC cord

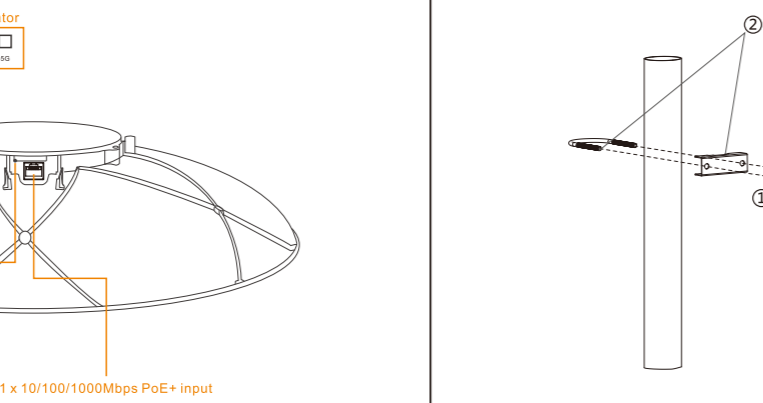


2 X Pole mount kit



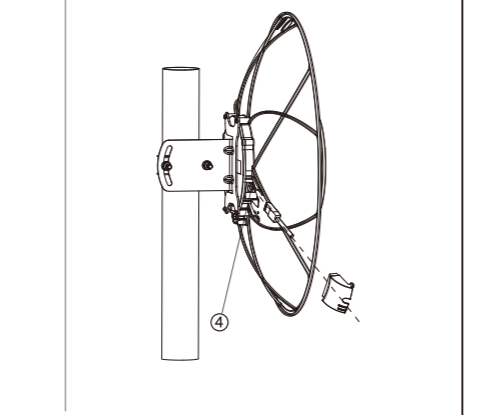
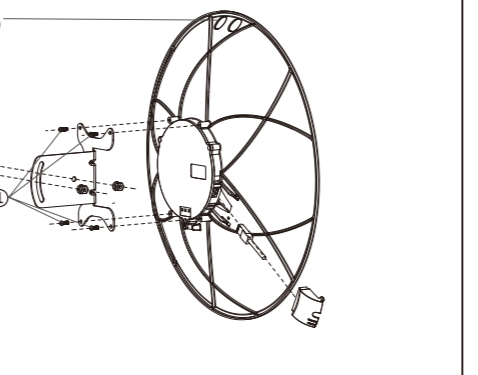
2 x Installation Guide

Product Overview



LED indicator	
PWR	On: The device power on is normal Off: The device is power off or failed
LAN	On: Data on TX/RX Off: Ports link down
5G/Wi-Fi	Red: 5G/Wi-Fi connected, no clients connection Blue: 5G/Wi-Fi connected, only one client's connection Green: 5G/Wi-Fi is connected, more than one client's connection

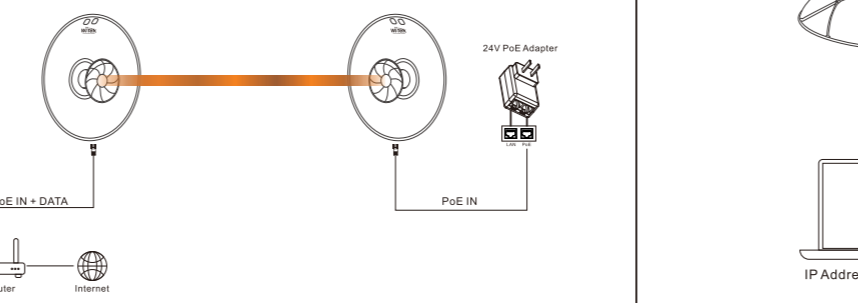
Pole Mount Installation



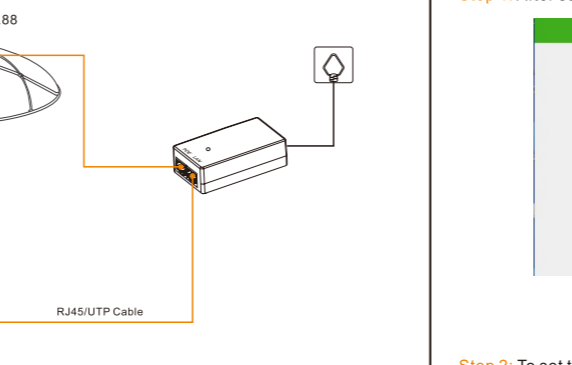
Network Topology

Set one of the two devices to **AP mode** and the other to **Client mode**. If the SSID, encryption mode, and password of the two devices are the same, the two devices will automatically connect to and work.

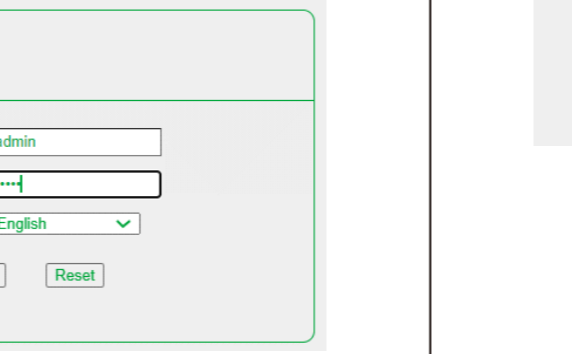
Note: The IP addresses of the two devices must be different.



Web Management

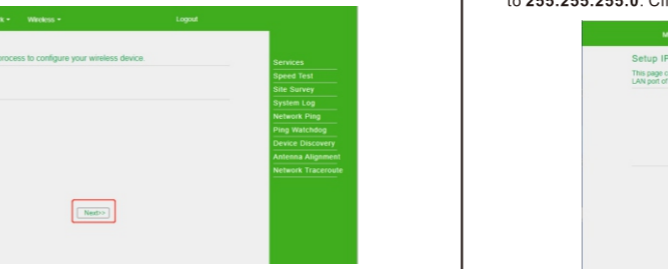


- Logging in to the WI-CPE900-KIT is **192.168.1.88**.
- Use Web browser to enter IP address **http://192.168.1.88** (default IP address)
- When the following dialog box appears, please enter the default user name "admin" and password "admin" (or the password you have changed before).

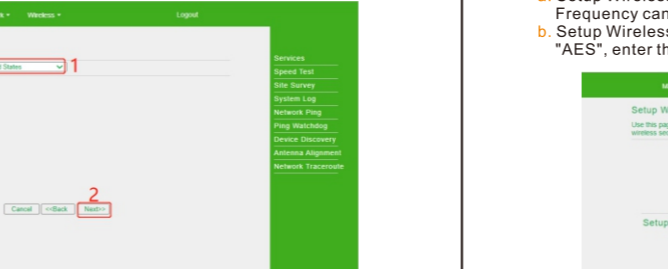


Setup AP Mode

Step 1: After successful login: Go to the "Setup Wizard" page and click "Next".

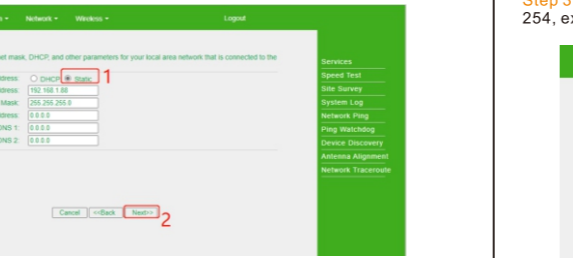


Step 2: To set the country, select "Country/Region" and click "Next". Note: the country should be the same in both devices

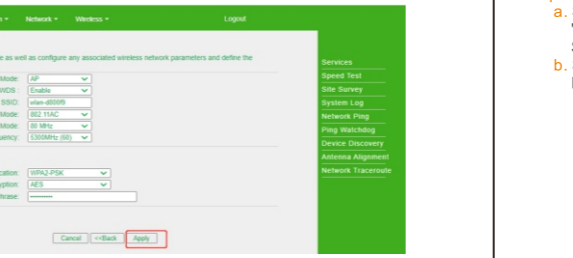


Setup Clients Mode

Step 3: Set the Static IP address: **192.168.1.X**(where x is a number between 2 and 254, except 88), the subnet mask is **255.255.255.0**. Click Next.



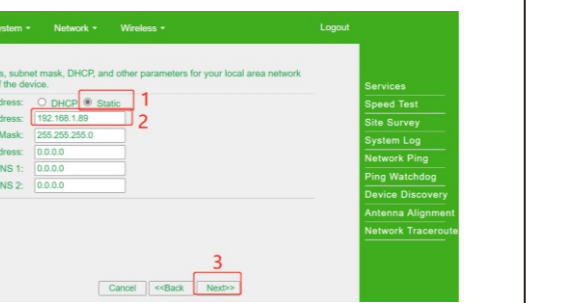
- Setup Wireless Parameters, select "AP" as the transmitter. SSID and Frequency can be set as your needs.
- Setup Wireless Security, Authentication "WPA2-PSK", Data Encryption "AES", enter the password, and click "Apply" button.



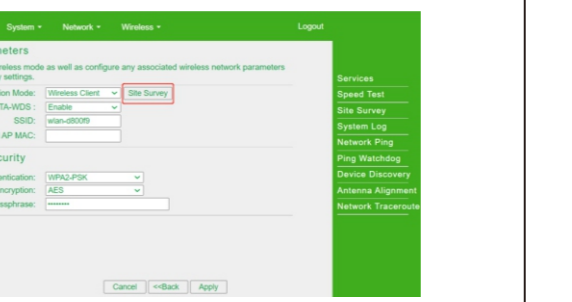
Setup Clients Mode

Pls follow and repeat the step 1-2

Step 3: Set the Static IP address: **192.168.1.X**(where x is a number between 2 and 254, except 88), the subnet mask is **255.255.255.0**. Click Next.



- Set wireless parameters, operation mode "Wireless Client", click "Wireless site Survey", select one of the SSID from Wireless Site Survey Table, click "Select SSID" button.
- Setup Wireless Security, Authentication "WPA2-PSK", Data Encryption "AES", enter the AP password, and click "Apply" button.

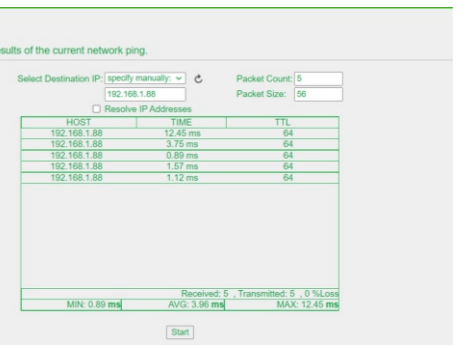


Wireless Site Survey

This page provides a tool to scan the wireless network.

Select	SSID	Frequency/Channel	MAC Address	802.11 Mode	Signal Strength	Security
<input type="checkbox"/>	YunZhong-5G	5200MHz (52)	44:d1:5a:1a:a3:05	802.11AC	-66dBm	WPA2
<input type="checkbox"/>	Wi-TEK-402	5200MHz (52)	44:d1:5a:b2:b2:94	802.11AC	-51dBm	WPA2
<input type="checkbox"/>	AP218_10	5200MHz (52)	44:d1:5a:13:c7:88	802.11AC	-42dBm	WPA2
<input type="checkbox"/>	Wi-TEK_E260	5180MHz (36)	54:34:92:01:5a:0a	802.11AC	-47dBm	WPA2
<input type="checkbox"/>	Moc242efea260	5180MHz (36)	48:88:99:cb:24:85	802.11AC	-48dBm	WPA2
<input type="checkbox"/>	11APPT18MP-5G	5180MHz (36)	74:96:37:0f:52:0a	802.11AC	-71dBm	WPA2
<input type="checkbox"/>	5180MHz (36)	5180MHz (36)	74:96:37:0f:52:0a	802.11AC	-49dBm	WPA2
<input type="checkbox"/>	TRF-5G	5180MHz (36)	76:08:cb:75:02:c7	802.11AC	-57dBm	WPA
<input checked="" type="checkbox"/>	YunZhong-5G-test	5180MHz (36)	20:78:93:5a:0a:98	802.11AC	-81dBm	WPA2
<input type="checkbox"/>	Edin Mount 5g	5745MHz (149)	88:25:83:ac:77:a7	802.11AC	-77dBm	WPA2
<input type="checkbox"/>	TLF	5745MHz (149)	80:ac:02:0b:cf:t1	802.11AC	-55dBm	WPA
<input type="checkbox"/>	TLF	5745MHz (149)	76:08:cb:65:02:c7	802.11AC	-57dBm	WPA2

Step 5: Finally, select Network Ping. Ping IP address (192.168.1.88) to verify your configurations is successfully.



Warranty Card

Username	
Address	
Telephone No.	
Purchase Shop	
Purchase Address	
Product Model No.	
Purchase Time	
Serial No.	
Dealer Signature	

- If the product defects within three months after purchase, we will provide you a new product of the same model.
- If the product defects within the three-year warranty period, we will provide the professional maintenance service.
- Proof of purchase and a complete product serial number are required to receive any services guaranteed as part of the limited warranty.
- Any other defects that are not caused by workmanship or product quality, such as natural disaster, water damage, extreme thermal or environmental conditions, sticker damaged, warranty card losing will disqualify the product from limited warranty.

