



Quick Installation Guide

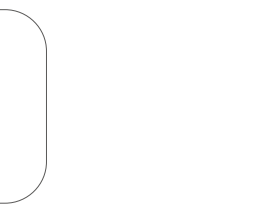
Cloud-Managed Wireless Ceiling Access Point



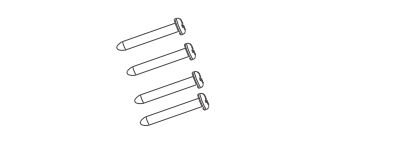
Wi-AP218AX-Lite

www.wireless-tek.com

1. Packing Content

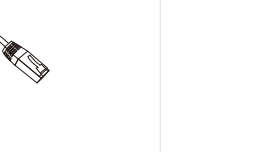


1 x AP

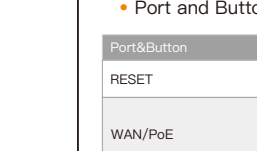


4 x Plastic Anchor

4 x Self-Tapping Screws



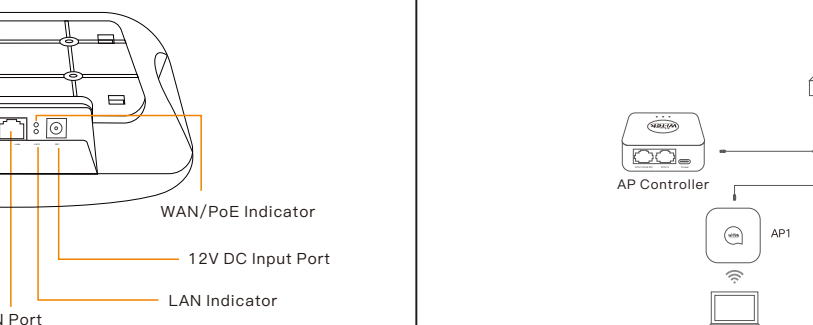
1 x Ethernet Cable



1 x Quick Installation Guide

2. Appearance Overview

• Wi-AP218AX-Lite



• LED indicator

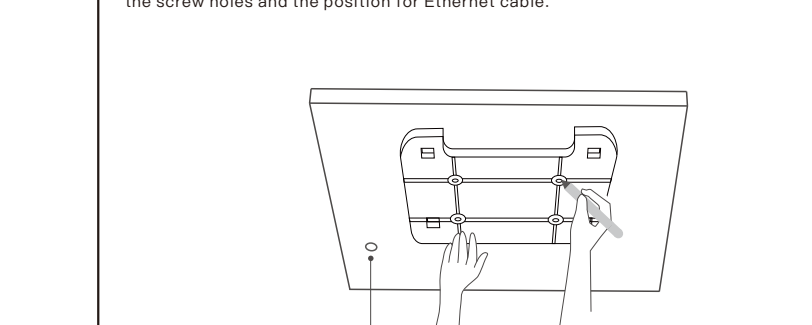
LED Indicators	Status	Description
System Indicator	Red light	Slow blinking: The system is starting.
	Fast blinking	The system is restoring factory.
LAN Indicator	Blue light	The system is working normally.
	Yellow	The LAN port is connected via Ethernet cable.
	Off	The LAN port is disconnected.

• Port and Button

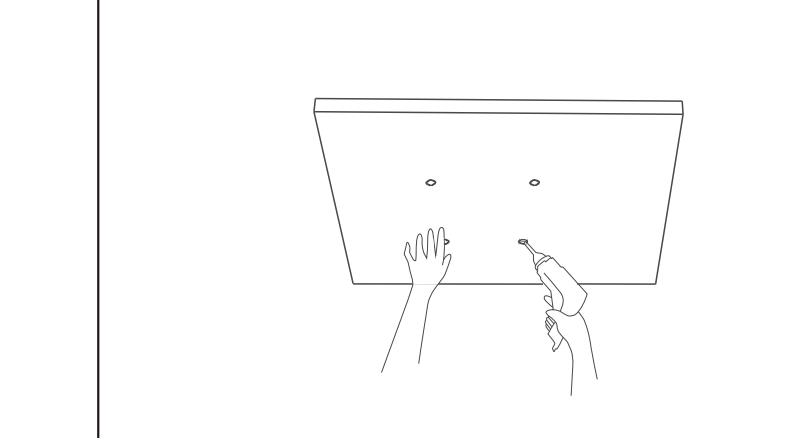
Port&Button	Description
RESET	Reset button, which is used to restore the factory. Holding down the reset button for 10 seconds to revert to factory settings
WAN/PoE	10/100/1000Mbps Base-T Ethernet Port, which supports 802.3af PoE input.If the AP is powered through PoE, please connect this port to the PoE switch supporting 802.3af output. It is generally connected to the upstream switch.
LAN	10/100/1000Mbps Base-T Ethernet port It is generally connected to wired LAN devices such as PC.
DC	DC Input: 12V,1.5A The AP is powered through 12V DC input.

3. Typical Connection

• Bypass mode topology



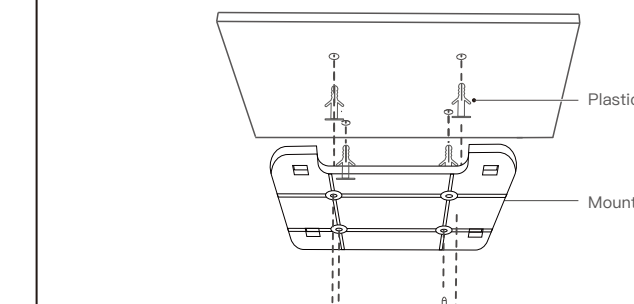
• AC Gateway mode topology



4. Device Installation

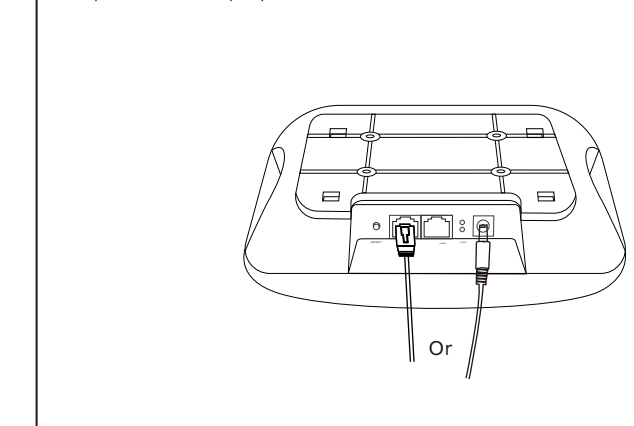
• Ceiling Mounting

- 1. Place the bracket in the center of the ceiling and then mark the positions for the screw holes and the position for Ethernet cable.



Drill Hole for Ethernet cable

- 2. Drill holes in the marked positions using a hammer drill



• 3. Knock the plastic anchors into the holes by using the rubber hammer. Align the screw holes in the bracket with the holes in the ceiling and use the self-tapping screws to fix the bracket.



Plastic Anchor

Mounting Bracket

Screw

• 4. Power the AP by connecting a PoE switch to the WAN/PoE port or a power adapter to the DC Input port.

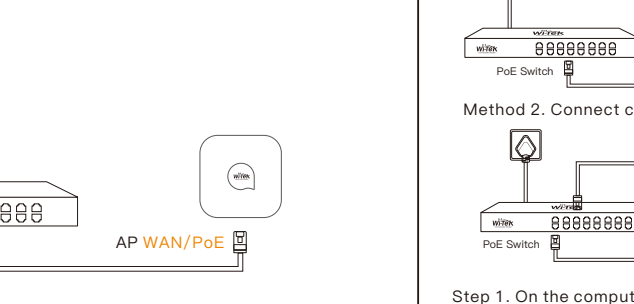


Or

5. Power Supply

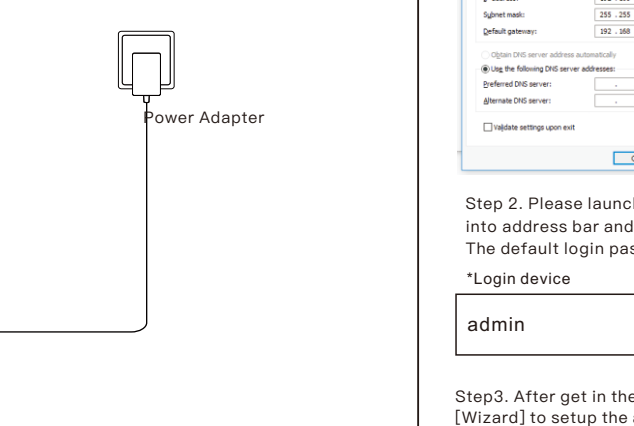
• Power via PSE Device

- The APs can be powered via PoE switch which supports 802.3af PoE output.



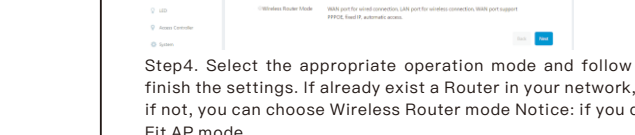
• Power via Power adapter

- Some APs can be powered via power adapter which supports 12V DC output.

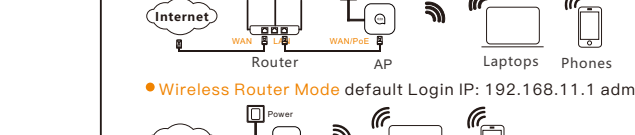


6. Configuration Method

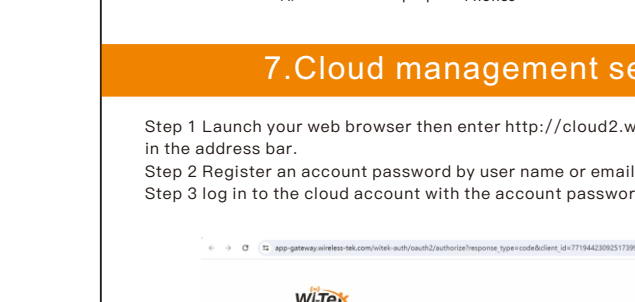
Method 1. Connect computer to the wireless signal of AP, the default SSID is "Wi-TEK xxxx". Password is 88888888



Method 2. Connect computer to the AP by Ethernet cable.

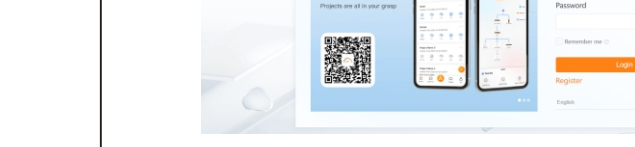


Step 1. On the computer, please set the static IP under the same subnet with AP, 192.168.1.xx



Step 2. Please launch a browser such as Google Chrome or Firefox, type 192.168.1.88 into address bar and click on enter to get in the login page of wireless access point. The default login password is "admin".

*Login device



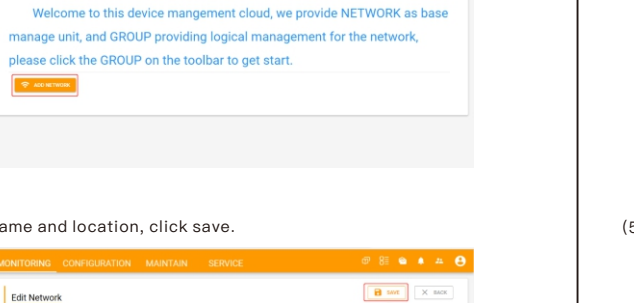
Step 3. After get in the management page, On the left side menu, please go to [Wizard] to setup the access point

7. Cloud management settings

Step 1. Launch your web browser then enter http://cloud2.wireless-tek.com in the address bar.

Step 2 Register an account password by user name or email.

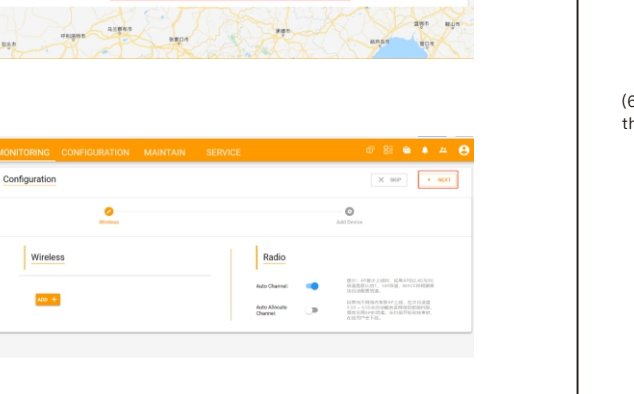
Step 3 log in to the cloud account with the account password after registration.



Step 4. Select the appropriate operation mode and follow the instruction of wizard to finish the settings. If already exist a Router in your network, please choose, Fit AP mode; if not, you can choose Wireless Router mode Notice: If you do a reset, AP will recovery to Fit AP mode

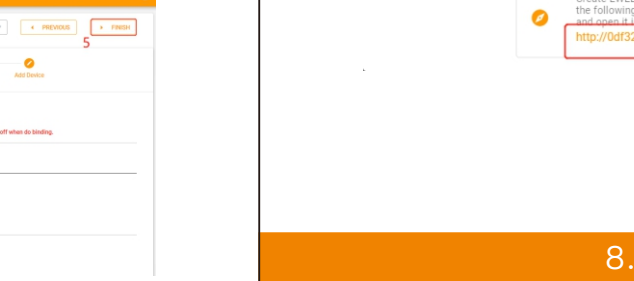
• Fit AP Mode default Login IP: 192.168.1.88 admin/admin

• Wireless Router Mode default Login IP: 192.168.1.1 admin/admin

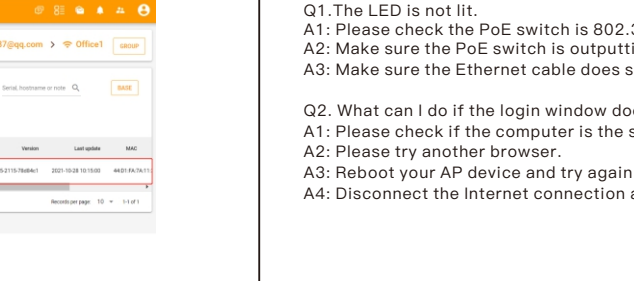


8. FAQ

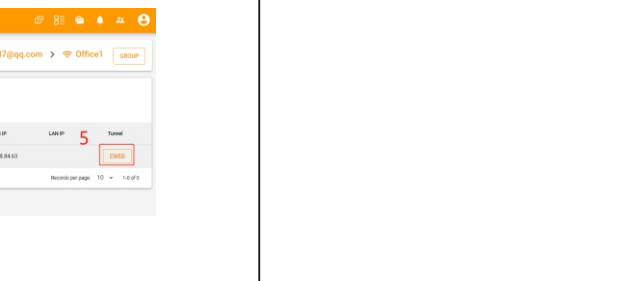
(4) Enter serial number, click ADD to create and click FINISH, the configuration is complete. Note: The 17-digit SN code of the Add device is shown on the sticker on the back of the device.



(5) In the relevant device options, you can see the bound device information.



(6) Click Tunnel, Select binding device type, click EWEB to log in to the device.



Warranty Card

Username	
Address	
Telephone No.	
Purchase Shop	
Purchase Address	
Product Model No.	
Purchase Time	
Serial No.	
Dealer Signature	

8.FAQ

Q1. The LED is not lit.

A1: Please check the PoE switch is 802.3af/at.

A2: Make sure the PoE switch is outputting the correct voltage.

A3: Make sure the Ethernet cable does support PoE function.

Q2. What can I do if the login window does not appear?

A1: Please check if the computer is the static IP 192.168.1.xxx.

A2: Please try another browser.

A3: Reboot your AP device and try again.

A4: Disconnect the Internet connection and try again, after login, connect to the internet.



Wireless-Tek Technology Limited

Address: Biaofan Technology Building 402, Bao'an street, Baoan District, Shenzhen City, Guangdong, China

Website: www.wireless-tek.com

Tel: 86-0755-32811290

Email: sales@wireless-tek.com

Technical Support: tech@wireless-tek.com

