

# Cloud Industrial Flat-type Easy smart switch

WI-PCES310GF-F



## Overview

The Wi-Tek Cloud Industrial Flat Easy Smart Switch offers 8 1000Mbps PoE ports with 2 ports up to 90W of PoE power, providing flexible and high-performance full-gigabit access and uplink ports. Professional design provides a flexible, easy-to-use, and reliable industrial network solution. The switch provides simple, safe, and easy-to-use local WEB and remote management methods, supports smart deployment, abnormal alarm, ONVIF automatic identification of network cameras, etc. Wi-Tek Cloud Industrial Flat Easy Smart Switch is the best choice for industrial network solutions and projects of harsh application scenarios such as factory and park.

## Features

### Support Wi-Tek cloud management

ONVIF cameras and Wi-Tek cloud management devices can be remotely managed through the Wi-Tek cloud platform/mobile APP, making CCTV network projects truly intelligent and easy to maintain. You can easily access and manage your cameras from your phone or computer anytime, anywhere.

### -40~75°C Operating Temperature

-40~75°C working temperature design, makes it meet the requirement of harsh application environment.

### Fusion of Temperature Sensor and Cloud

The temperature sensor can sense the temperature of the project site in real time and upload it to the cloud platform, which you can monitor remotely in real time. The remote alarm function can effectively prevent risks caused by overtemperature, such as device faults.

### Intelligent Operation and Maintenance

Abnormal alarm can help you locate problems quickly, making your operation and maintenance easier.

# Specifications



Model	WI-PCES310GF-F	
Hardware Specifications		
Interfaces		
Downlink Ports	8 *10/100/1000Mbps RJ45 Ports	
Uplink Ports	2 *1000Mbps SFP SlotS	
PoE		
PoE Port	Port 1-8	
PoE Standard	Port 1-2: IEEE802.3 af/at/bt Port3-8: IEEE802.3 af/at	
PoE Power Supply Type	Mid-span and End-span	
PoE Pin Assignment	1/2(+), 3/6(-), 4/5(+), 7/8(-)	
PoE Power	90W Max. for port1-2, 30W Max. For port3-8 355W Max. for PoE power budget.	
Performance		
Flash Memory	4 MB Flash	
Switch Property		
Standards and Protocols	IEEE 802.3, IEEE 802.3u, IEEE 802.3ab, IEEE 802.3z, IEEE 802.3x, IEEE 802.1x, IEEE 802.1q, IEEE 802.1p, IEEE802.3af, IEEE802.3at. IEEE802.3bt.	
Forwarding Mode	Store and Forward	
Switching Capacity	20 Gbps	
Packet Forwarding Rate	14.88 Mpps	
MAC Address Table	2 k	
Packet Buffer Memory	1.5 Mb	
Jumbo Frame	9216 Bytes	



Model	WI-PCES310GF-F
Power Supply	
Input Power	DC 48–57V/6A Max
Power Consumption	Idle: 5 W 100% Traffic Rate with PoE: 360 W
Physical Characteristics	
LED Indicators	<p><b>SYS(Green):</b>                      Blinking: The system is working normally                      Off: The system is being started or abnormal</p> <p><b>PoE (Orange):</b>                      On: There is a POE PD connected to be port, which supply power successfully                      Off: No PoE powered device (PD) connected</p> <p><b>Link (Green)</b>                      On: Port connected                      Off: Port disconnected                      Blinking: Data transmission</p> <p><b>SFP Indicator(9,10):</b>                      Solid on: Port connected                      Blinking: Data transmission                      Off: Port disconnected</p> <p><b>P1/P2/P3:</b>                      On: the device power on is normal                      Off: the device is power off or failed</p>
Switch Dimension (W*D*H)	180*140*25 mm
Package Dimension	307*291*69 mm
Weight	Net Weight: 0.40 kg Package Weight: 0.65 kg
Installation	DIN–rail, wall–mount and magnetic–mount
Fan Quantity	Fanless
Button	
Reset	Hold for >5 sec. to restore factory default



Model		WI-PCES310GF-F
Environmental		
Reliability	Surge Immunity	IEC 61000-4-5 Common mode 6kV Differential mode 4kV
	ESD Protection	IEC 61000-4-2 Contact discharge 6kV Air discharge 8kV
Operating Temperature		-40°C to 75°C(-40°F to 167°F)
Operating Humidity		10%~90% RH no condensation
Storage Temperature		-40°C to 80°C(-40°F to 176°F)
Storage Humidity		10%~90% RH no condensation
Certification		
Certification		CE, FCC, RoHS, UKCA, RCM

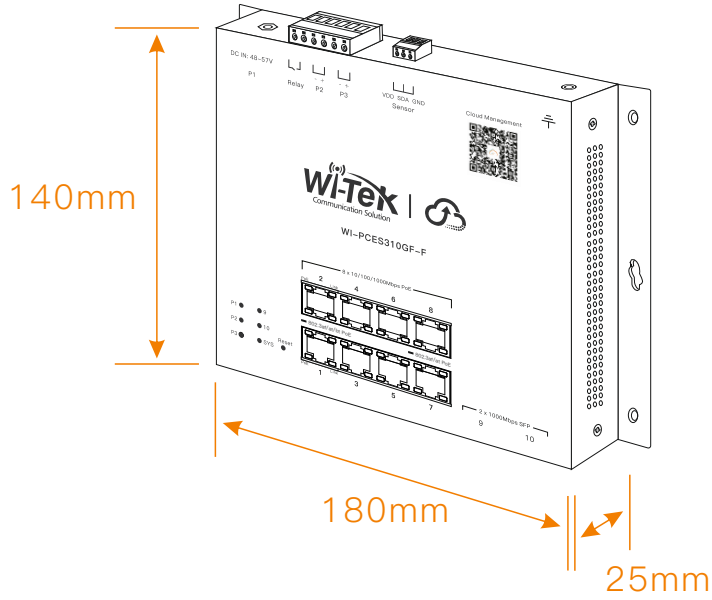


Model	WI-PCES310GF-F
Software Features	
System Settings	Device Info
	IP Settings
	User Management
	Firmware Upgrade
	Configuration Backup
	Reset
	Save Configuration
	Reboot
	Temperature Sensor Data
Switch Settings	Port Settings
	Port Statistics
	Storm Control
	Port Mirroring
	Port Isolation
	Port Bandwidth Control
	Link Aggregation
	Loop Guard
	MAC Search
	Static MAC
	MAC Table
Alarm	
VLAN Settings	VLAN Member
	VLAN Settings
PoE Management	PoE Settings
ONVIF	Onvif Detect
Cloud Settings	MQTT Client
	Wi-Tek Devices Discovery Table

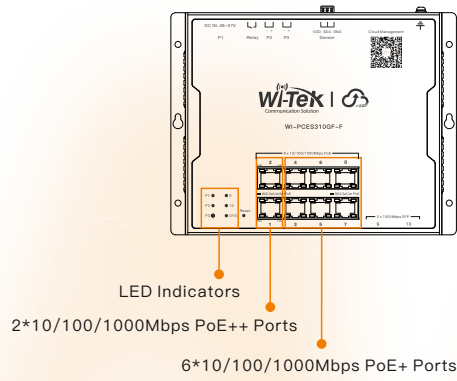
Note: Link Aggregation only supports the aggregation of downlink ports.

WI-PCES310GF-F

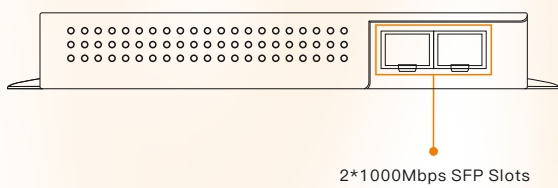
Dimensions (mm)



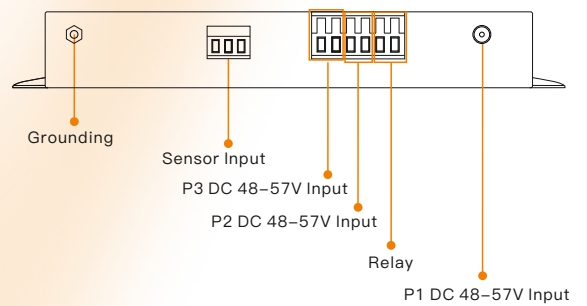
Front Panel



Bottom Panel



Top Panel



## Package Contents

Welcome to order our products. After purchasing, you will receive:

Items	Quantity
Switch	1 pcs
Magnetic accessory	1 pcs
DIN-Rail mounting accessories (screw x2; rail bracket x 1)	1 pcs
Quick installation guide	1 pcs



Wireless-Tek Technology Limited

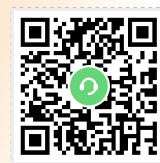
Address: Building 3, Units 1801-1807, 1812, Huaqiang Era Plaza, Tangwei Community, Fuhai Street, Bao'an District, Shenzhen City, Guangdong Province, China.

Website: [www.wireless-tek.com](http://www.wireless-tek.com)

Tel: 86-0755-32811290

Email: [sales@wireless-tek.com](mailto:sales@wireless-tek.com)

Technical Support: [tech@wireless-tek.com](mailto:tech@wireless-tek.com)



Technical Support



Cloud Management



Company Website